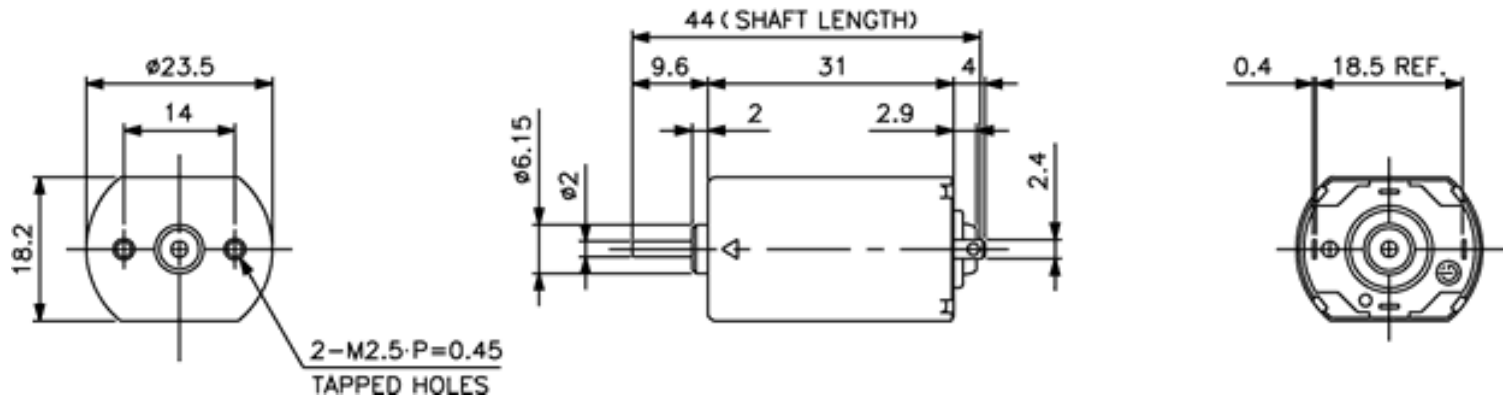




Weight: 41 g (approx)

Dimensions (mm)



Specification

Model No. How to read the model numbers	No Load			Max Efficiency							Stall			
	Voltage	Speed	Current	Speed	Torque			Current	Output	Eff.	Torque			Current
	V	RPM	A	RPM	mN-m	g-cm	oz-in	A	W	%	mN-m	g-cm	oz-in	A
A182331-031-G-3	3	16400	0.7	13400	3.51	35.9	0.50	3.04	4.95	54.2	19.2	196	2.72	13.5
A182331-072-G-3	6	14150	0.255	11750	4.12	42.0	0.58	1.32	5.08	64.1	24.3	248	3.44	6.55
A182331-130-G-5	12	8700	0.07	6700	2.34	23.8	0.33	0.25	1.65	55.0	10.2	104	1.44	0.85
A182331-138-G-3	12	14150	0.12	11750	3.64	37.1	0.52	0.59	4.50	63.5	21.5	219	3.04	2.89

Characteristic Curves