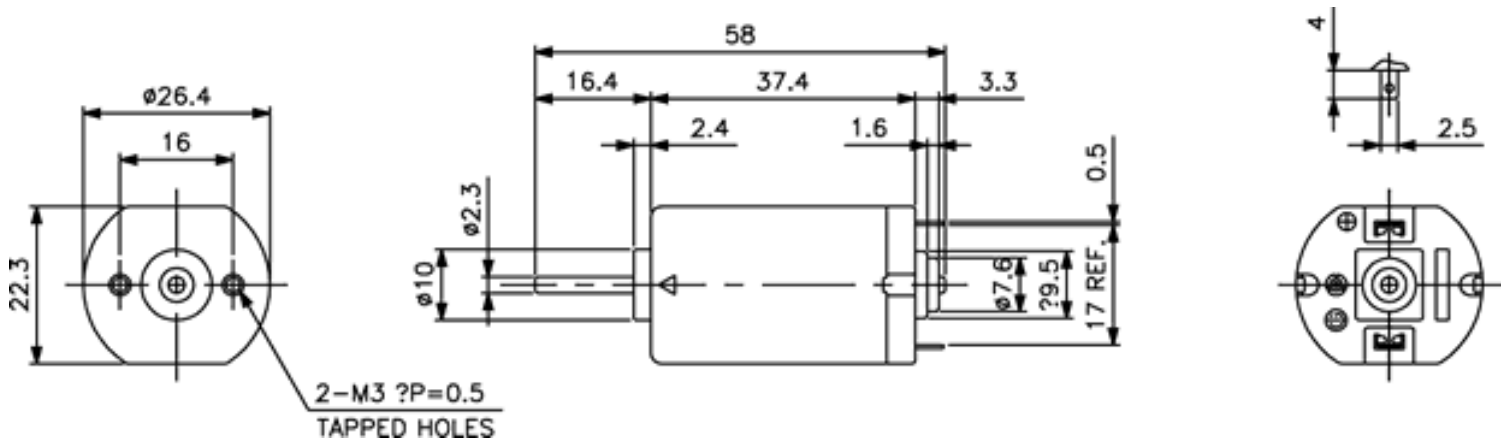




Weight: 58g (approx)

Dimensions (mm)



Specification

Model No.	No Load			Max Efficiency							Stall			
	Voltage	Speed	Current	Speed	Torque			Current	Output	Eff.	Torque			Current
	V	RPM	A	RPM	mN-m	g-cm	oz-in	A	W	%	mN-m	g-cm	oz-in	A
222637-049-G-3	2.5	6100	0.35	5000	4.61	47.1	0.65	1.67	2.42	58.2	25.6	261	3.63	7.65
222637-360-G-3	12	3900	0.038	3130	2.97	30.3	0.42	0.16	0.98	52.5	15.0	153	2.12	0.63
222637-660-G-3	21	3900	0.028	3100	3.16	32.2	0.45	0.10	1.03	31.3	15.4	157	2.18	0.36
222637-350-G-3	24	8650	0.05	7100	5.78	89.0	0.82	0.28	4.31	64.6	32.2	329	4.57	1.32

Characteristic Curves