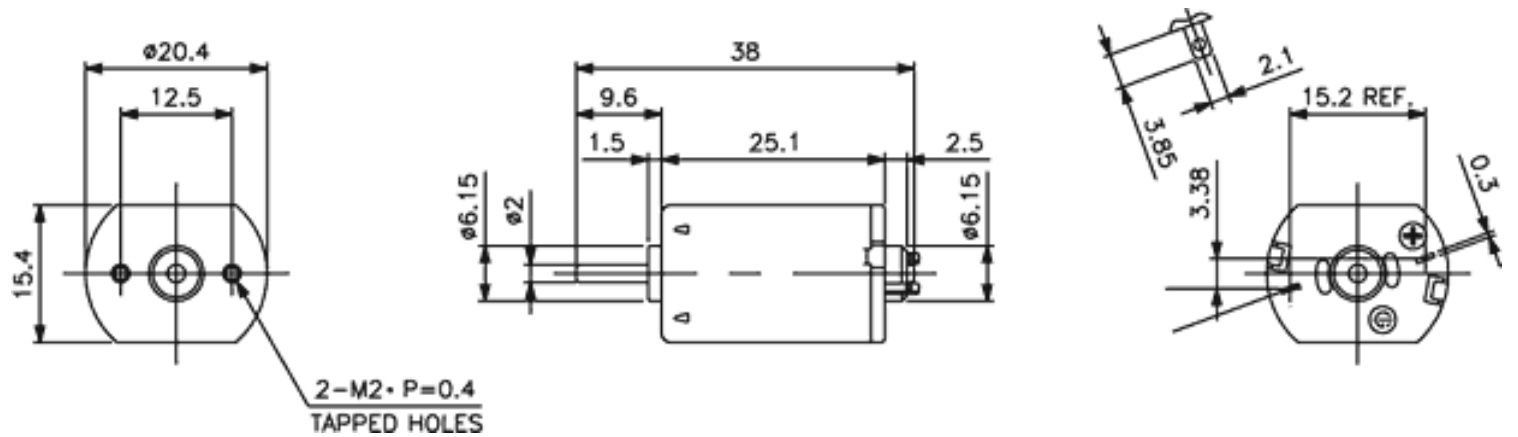




Weight: 22g (approx)

Dimensions (mm)



Specification

Model No.	No Load			Max Efficiency							Stall			
	Voltage	Speed	Current	Speed	Torque			Current	Output	Eff.	Torque			Current
	V	RPM	A	RPM	mN-m	g-cm	oz-in	A	W	%	mN-m	g-cm	oz-in	A
N152025-175-G-3	3	4730	0.08	3500	0.87	8.89	0.12	0.23	0.32	45.8	3.35	34.2	0.48	0.67
N152025-440-G-3	12	7650	0.03	6100	0.97	9.93	0.14	0.10	0.62	49.5	4.80	49.0	0.68	0.40
N152025-560-3	12	7600	0.032	5650	0.80	8.21	0.11	0.09	0.48	44.0	3.14	32.0	0.44	0.26
N152025-590-G-3	24	11160	0.027	8800	1.33	13.6	0.19	0.10	1.23	51.6	6.30	64.3	0.89	0.37

Characteristic Curves