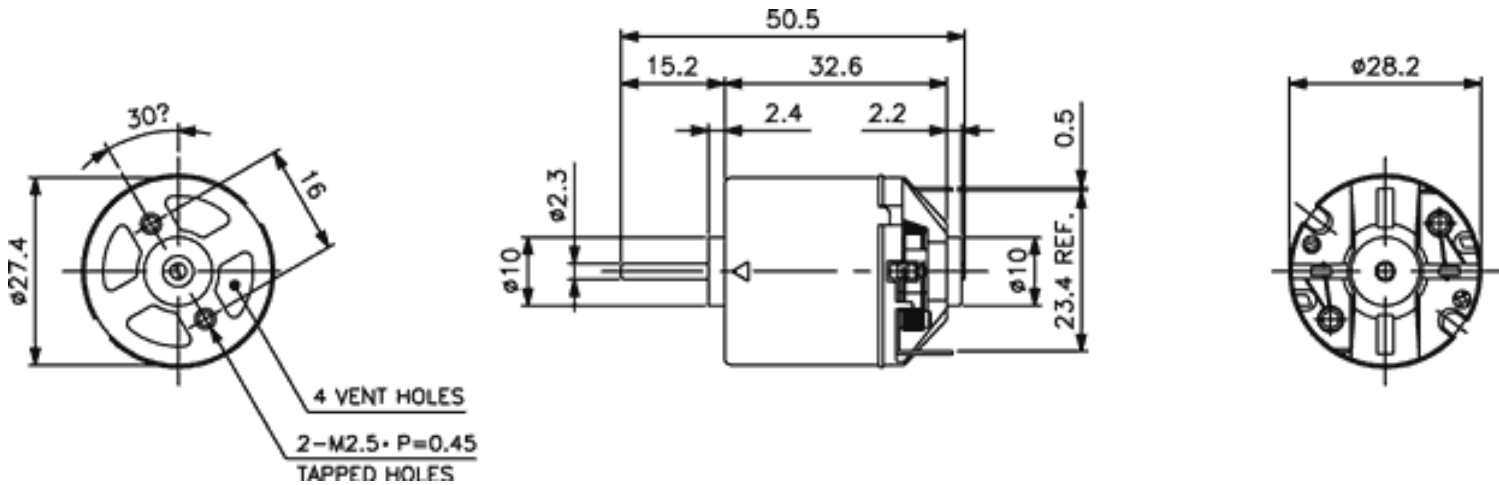




Weight: 49g (approx)

Dimensions (mm)



Specification

Model No. How to read the model numbers	No Load			Max Efficiency							Stall			
	Voltage	Speed	Current	Speed	Torque			Current	Output	Eff.	Torque			Current
	V	RPM	A	RPM	mN-m	g-cm	oz-in	A	W	%	mN-m	g-cm	oz-in	A
2833-122-G-5	9	6340	0.182	4700	4.72	48.2	0.67	0.52	2.33	49.5	18.2	186	2.58	1.50
2833-163-G-5	12	6160	0.109	4640	3.92	40.0	0.56	0.33	1391	47.6	15.9	162	2.25	1.02
2833-570-G-3	24	7500	0.043	5950	3.65	37.2	0.52	0.17	2.28	55.9	17.6	180	2.50	0.66
2833-770-G-3	36	4570	0.018	3300	0.84	18.8	0.26	0.05	0.64	37.9	6.6	68	0.94	0.12

Characteristic Curves