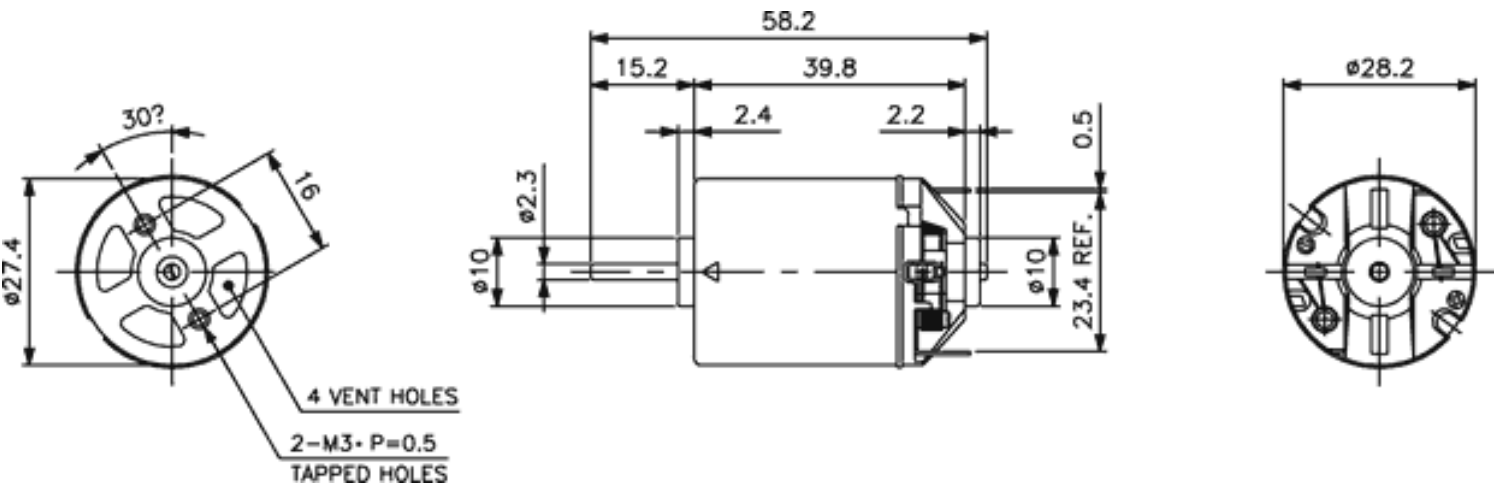




Weight: 81g (approx)

Dimensions (mm)



Specification

Model No. How to read the model numbers	No Load			Max Efficiency							Stall			
	Voltage	Speed	Current	Speed	Torque			Current	Output	Eff.	Torque			Current
	V	RPM	A	RPM	mN-m	g-cm	oz-in	A	W	%	mN-m	g-cm	oz-in	A
2840-054-G-5	12	12800	0.2	10650	7.72	78.8	1.09	1.11	8.64	65.4	46.0	469	6.51	5.60
2840-095-G-3	12	16440	0.29	13970	8.70	88.8	1.23	1.64	12.8	65.0	57.9	591	8.21	9.28
2840-215-G-5	22	6190	0.035	5100	4.58	46.7	0.65	0.17	2.45	65.0	26.0	265	3.68	0.81
2840-250-G-3	24	12000	0.1	10100	6.92	70.6	0.98	0.49	7.35	62.9	43.7	446	6.19	2.54

Characteristic Curves