

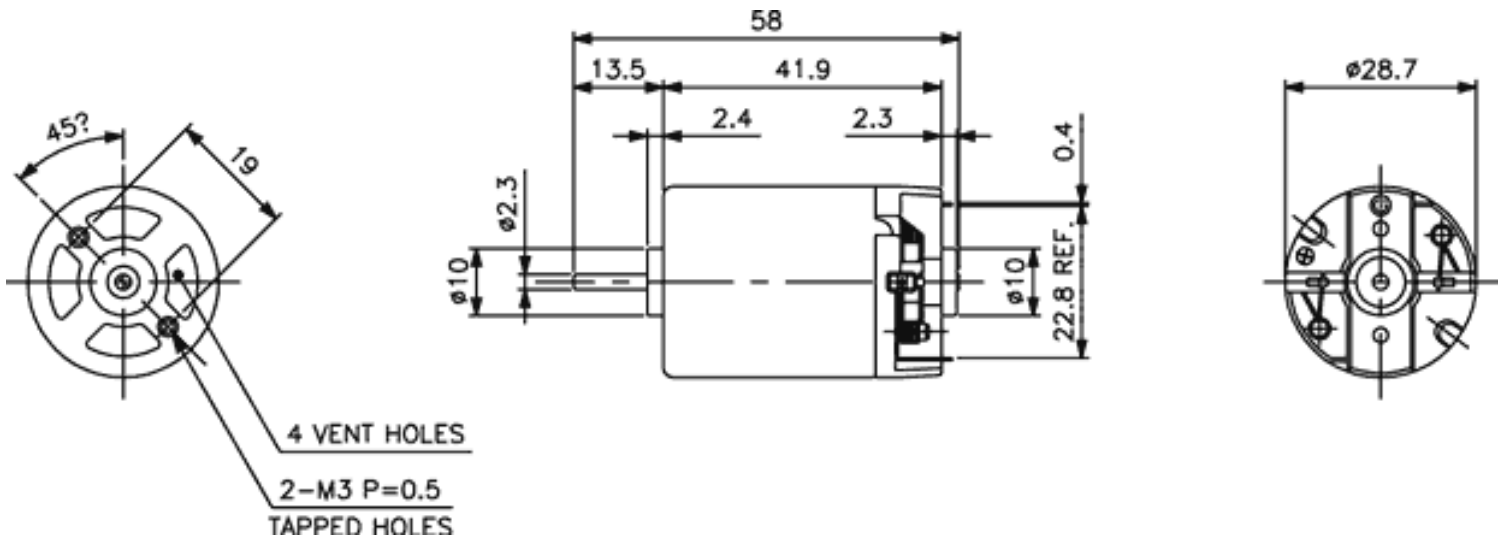


DC Motors - 2942



Weight: 87g (approx)

Dimensions (mm)



Specification

Model No. How to read the model numbers	No Load			Max Efficiency							Stall			
	Voltage	Speed	Current	Speed	Torque			Current	Output	Eff.	Torque			Current
	V	RPM	A	RPM	mN-m	g-cm	oz-in	A	W	%	mN-m	g-cm	oz-in	A
2942-068-G-5	12	11450	0.16	9700	5.66	57.8	0.80	0.76	5.77	63.4	37.0	378	5.25	4.08
2942-137-G-5	12	4940	0.075	3960	4.95	50.5	0.70	0.30	2.06	56.3	24.9	254	3.53	1.23
2942-170-G-5	24	7850	0.07	6430	6.97	71.2	0.99	0.32	4.71	60.5	38.4	392	5.44	1.47
2942-312-G-5	24	4310	0.037	3330	4.59	46.8	0.65	0.13	1.61	53.0	20.3	207	2.88	0.43

Characteristic Curves