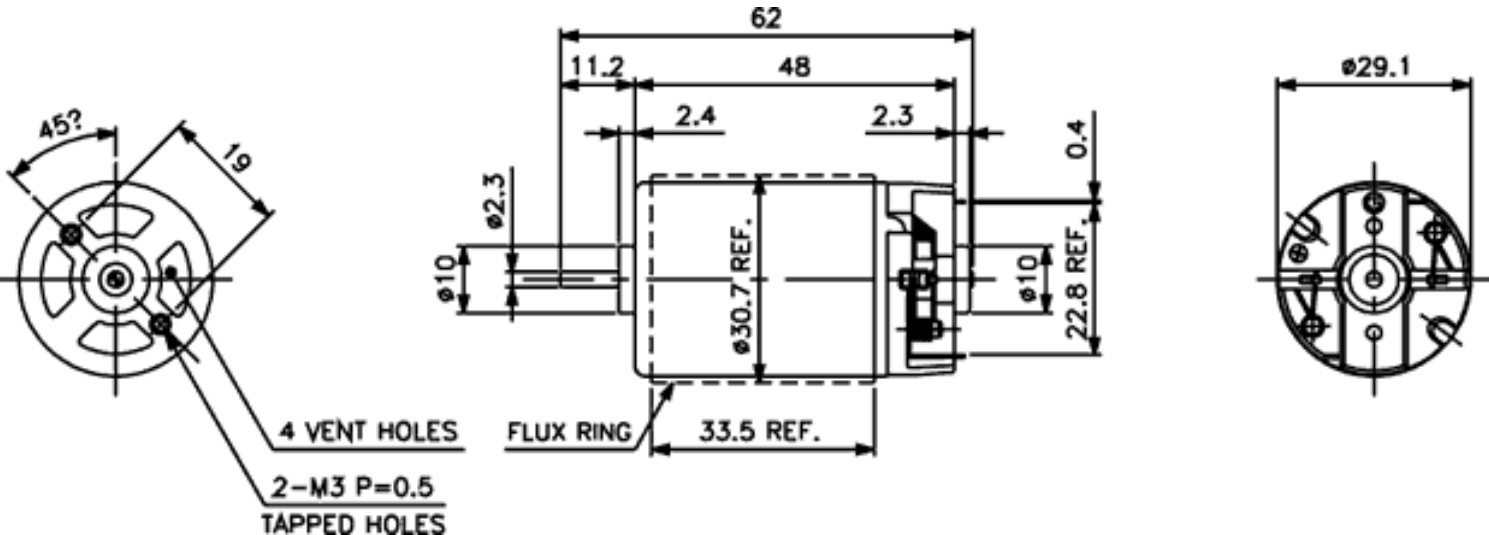




Weight: 115g (approx)

Dimensions (mm)



Specification

Model No.	No Load			Max Efficiency							Stall			
	Voltage	Speed	Current	Speed	Torque			Current	Output	Eff.	Torque			Current
<a href="#">How to read the model numbers</a>	V	RPM	A	RPM	mN-m	g-cm	oz-in	A	W	%	mN-m	g-cm	oz-in	A
2948-041-G-5	6	6270	0.175	5400	7.98	81.4	1.13	1.13	4.53	67.1	57.5	587	8.15	7.03
2948-041-GF-5	12	11150	0.25	9600	15.3	156	2.17	1.78	15.4	72.3	110	1120	15.6	11.3
2948-074-GF-5	12	6100	0.11	5250	9.24	94.3	1.31	0.64	5.10	66.8	66.3	677	9.40	3.89
2948-083-GF-5	12	5400	0.1	4650	8.14	83.1	1.15	0.51	3.98	64.5	58.6	598	8.31	3.08

Characteristic Curves