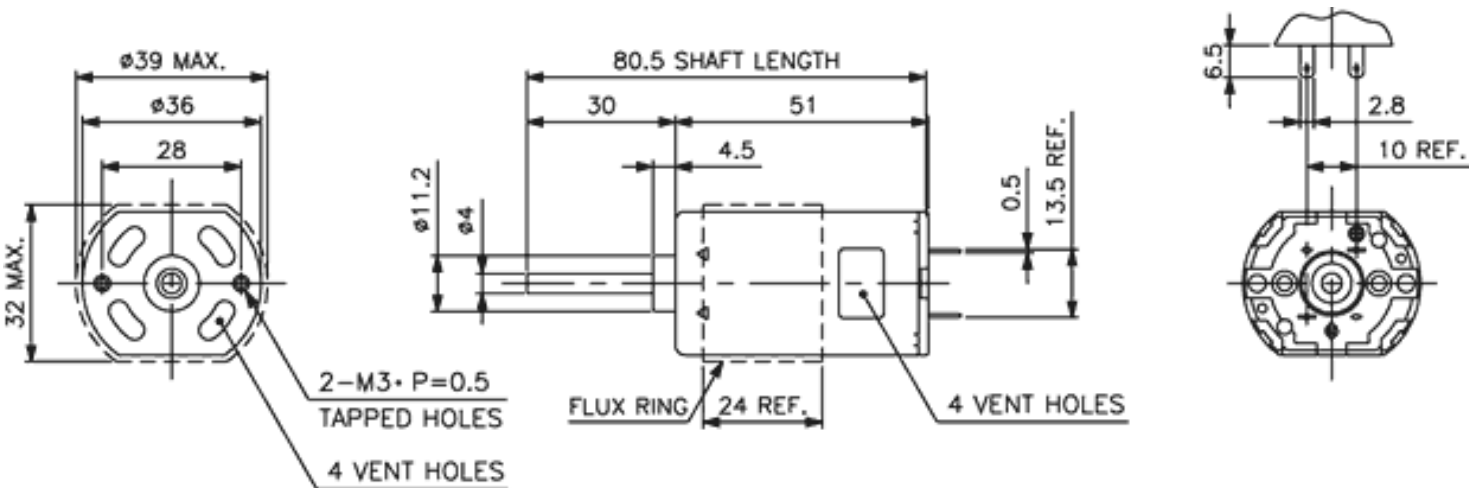




Weight: 150g (approx)

Dimensions (mm)



Specification

Model No.	No Load			Max Efficiency							Stall			
	Voltage	Speed	Current	Speed	Torque			Current	Output	Eff.	Torque			Current
	V	RPM	A	RPM	mN-m	g-cm	oz-in	A	W	%	mN-m	g-cm	oz-in	A
L293651-010-WGF-8	6	12050	1.1	10100	17.2	176	2.44	5.15	18.3	59.3	107	1090	15.1	26.1
L293651-050-GF-8	12	5750	0.19	4750	12.0	122	1.70	0.86	5.98	57.7	69.1	706	9.80	4.07
L293651-045-GF-8	24	13880	0.32	11500	16.3	166	2.31	1.49	19.7	55.2	95.2	971	13.5	7.13
L293651-108-GF-8	24	5310	0.09	4400	12.6	128	1.78	0.44	5.82	55.1	73.5	750	10.4	2.11

Characteristic Curves