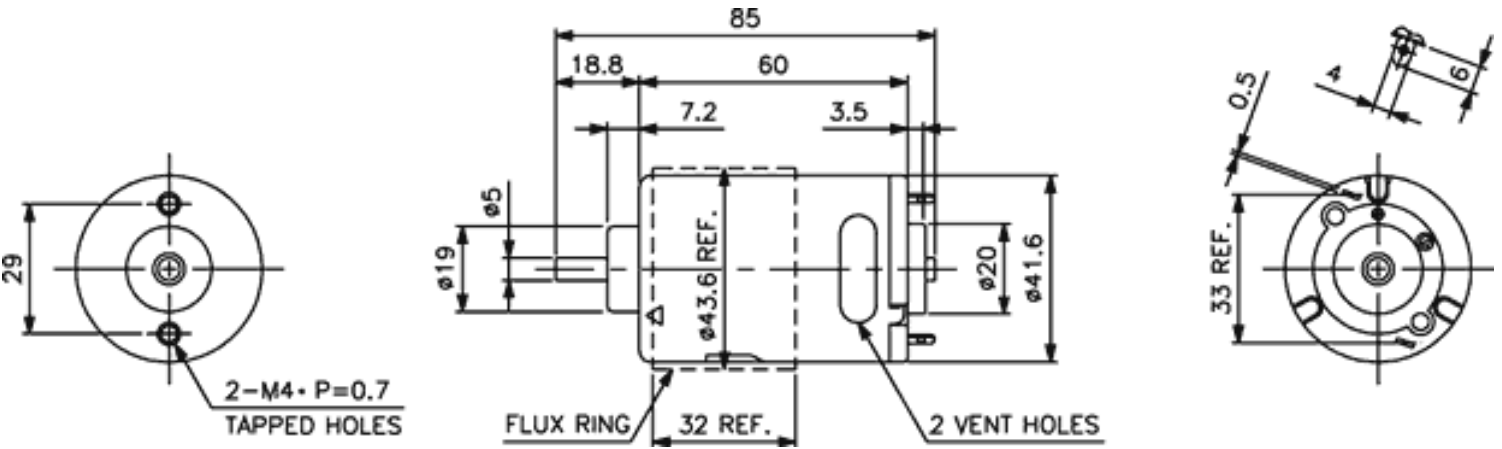




Weight: 270g (approx)

Dimensions (mm)



Specification

Model No. How to read the model numbers	No Load			Max Efficiency							Stall			
	Voltage	Speed	Current	Speed	Torque			Current	Output	Eff.	Torque			Current
	V	RPM	A	RPM	mN-m	g-cm	oz-in	A	W	%	mN-m	g-cm	oz-in	A
4260-028-G-3	6	11250	1.4	9650	31.5	322	4.47	8.40	32.0	63.4	222	2260	31.4	50.6
4260-032-WGF-3	9.6	11950	1.85	10400	78.1	797	11.1	12.9	85.4	69.1	602	6150	85.4	86.8
4260-035-WGF-3	12	14000	2.25	1800	101	1035	14.4	15.8	126	66.5	646	6590	91.5	88.3
4260-105-GF-3	12	6010	0.58	4850	36.1	368	5.12	2.37	18.4	64.7	187	1910	26.5	9.86
4260-053-G-3	14	15230	1.0	12800	36.7	374	5.20	5.28	49.4	66.8	230	2350	32.6	27.8
4260-100-GF-7	24	4040	0.15	3280	24.8	253	3.52	0.63	8.54	56.2	131	1340	18.6	2.70
4260-297-GF-3	24	3840	0.13	3200	28.0	286	3.97	0.63	9.42	62.7	169	1720	23.9	3.15
4260-115-GF-7	36	5210	0.15	4250	31.7	323	4.49	0.68	14.1	57.3	172	1750	24.3	3.04