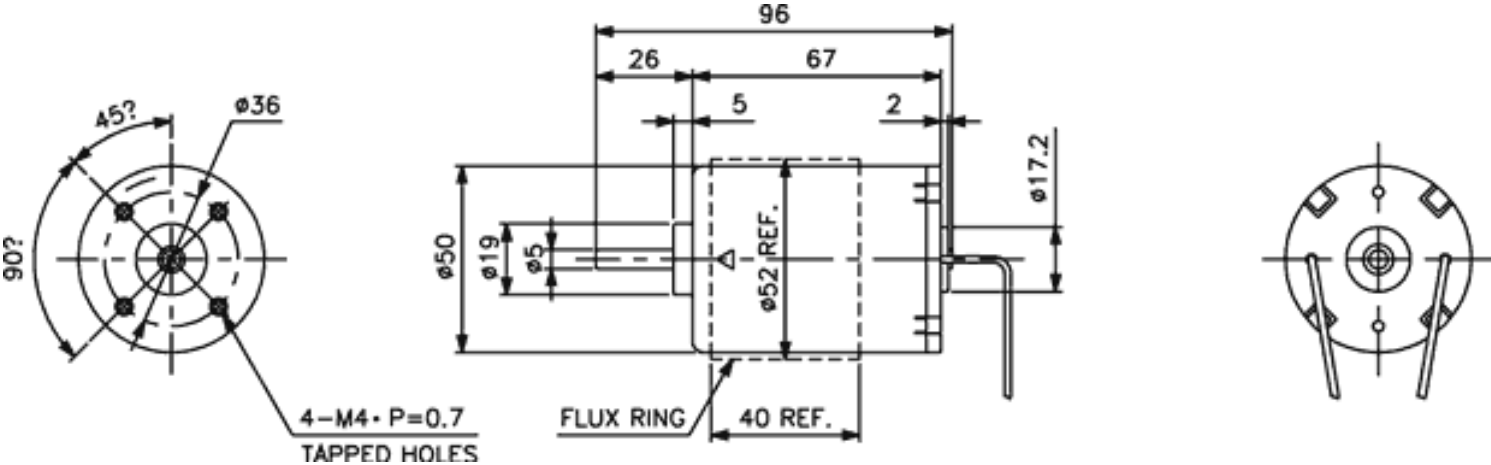




Weight: XXg (approx)

Dimensions (mm)



Specification

Model No.	No Load			Max Efficiency							Stall			
	Voltage	Speed	Current	Speed	Torque			Current	Output	Eff.	Torque			Current
How to read the model numbers	V	RPM	A	RPM	mN-m	g-cm	oz-in	A	W	%	mN-m	g-cm	oz-in	A
5067-021-GF-7	2.5	1690	0.51	1390	20.8	213	2.95	2.08	3.04	56.4	117	1190	16.6	9.34
5067-020-GF-7	6	3900	0.56	3320	32.0	326	4.53	3.00	11.2	61.9	214	2180	30.3	16.9
5067-084-GF-7	10	1700	0.14	1410	18.9	193	2.68	0.51	2.80	55.1	111	1130	15.7	2.30
5067-032-G-7	12	5770	0.42	4800	32.4	331	4.59	2.10	16.3	64.9	193	1960	27.3	10.4
5067-044-GF-7	12	3940	0.28	3330	35.2	359	4.99	1.50	12.3	68.4	224	2290	31.8	8.05
5067-090-G-7	12	1960	0.12	1620	21.4	218	3.03	0.50	3.65	60.4	123	1250	17.4	2.35
5067-084-G-7	24	4310	0.14	3700	34.7	354	4.92	0.81	13.5	69.4	246	2510	34.9	4.94
5067-130-G-7	24	2720	0.1	2080	24.9	254	3.53	0.41	5.44	55.9	106	1080	15.1	1.40