



DC MOTOR

25 watt

Graphite Brushes

2-66/25_ _

TRIDENT ENGINEERING LIMITED
Trident House, King Street Lane,
Winnersh, Wokingham,
Berkshire, RG41 5AS

Telephone: 0118 978 6444

Fax: 0118 977 6345

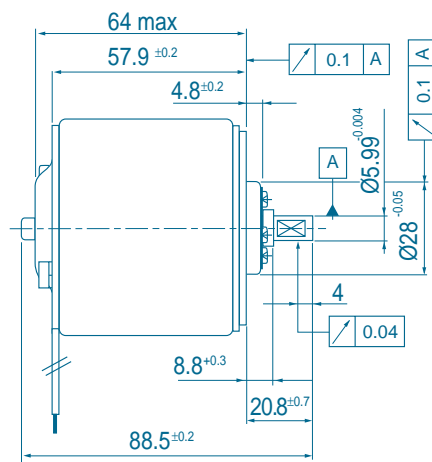
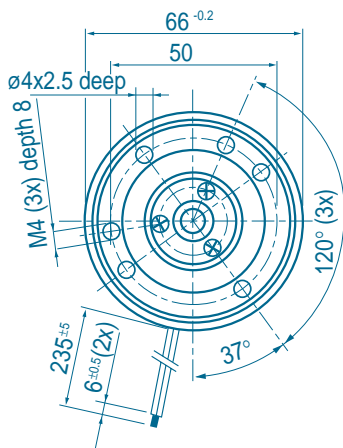
Email: sales@tridenteng.co.uk

www.tridenteng.co.uk

Stock Voltages		12	15	18	24	30	36
1. Nominal voltage	Volt	12	15	18	24	30	36
2. No-load speed	rpm	2560	2830	2890	2850	2960	3210
3. No-load current	mA	84	79	69	50	43	41
4. Nominal Torque	mNm	100	100	100	100	100	100
5. Starting torque	mNm	335	384	418	418	436	477
6. Torque constant	mNm/A	44.2	50.1	59.0	79.6	95.8	106.10
7. Nominal Speed	rpm	1800	2090	2200	2170	2280	2540
8. Nominal Current	mA	2330	2060	1750	1300	1080	980
9. Terminal Resistance	Ohm	1.6	2.0	2.5	4.6	6.6	8.0
10. Rotor Inductance	mH	0.6	0.8	1.0	1.9	2.7	3.4
11. Rotor Moment of Inertia	kgm ²	20x10 ⁻⁶	20x10 ⁻⁶	20x10 ⁻⁶	20x10 ⁻⁶	20x10 ⁻⁶	20x10 ⁻⁶
12. Mechanical time constant	ms	17	16	16	15	15	15
13. Ambient temp. range operating	°C	-10/+60					
14. Thermal resistance winding-housing	K/W	2.9	2.9	2.9	2.9	2.9	2.9
15. Weight	gram	900					
16. Bearings type		ball					

Product combinations

Gearheads GS66



Notes

