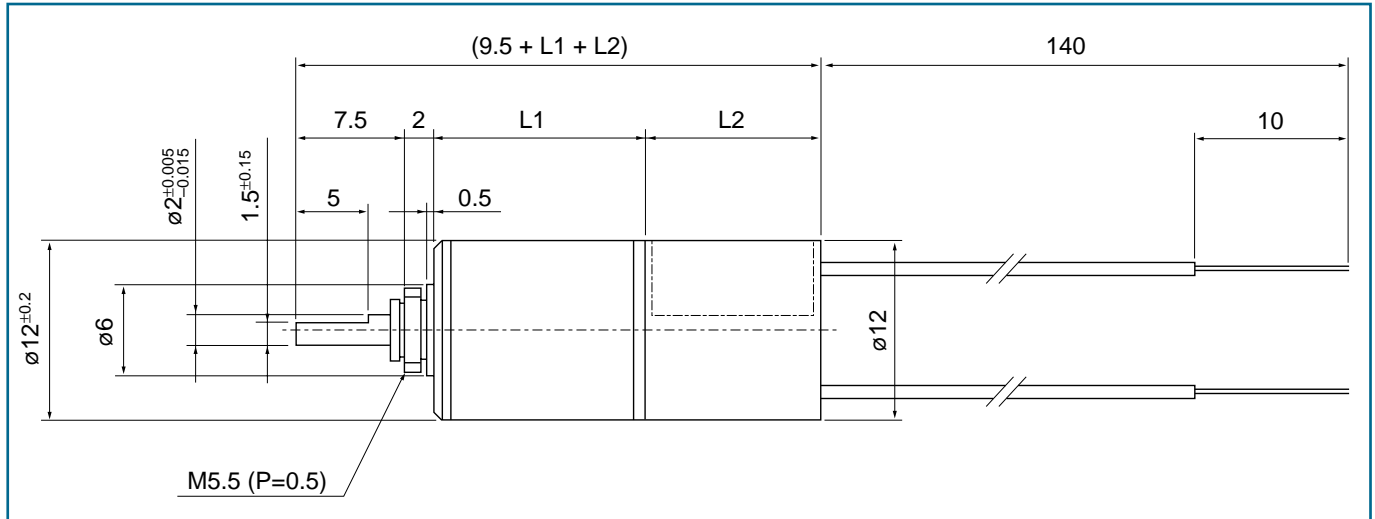




12mm coreless DC motor fitted with spur gearheads

The SC12G is a high quality combination of a coreless DC motor and spur gearhead, that provides a extremely cost effective drive solution.

Available in 12 volts with 9 ratios providing a maximum rated torque of 19.6mNm it is ideally suited to a wide range of applications.



Part number	Ratio	Rated torque mNm	Rated torque kg-cm	Rated speed rpm	Rated current mA	No load speed rpm	No load current mA	L1 mm	L2 mm
SC12G-12-0015	15:1	2.45	0.025	889	55	1087	15	12	20
SC12G-12-0032	32:1	4.90	0.050	413	55	509	15	14.2	20
SC12G-12-0052	52:1	8.33	0.085	251	55	313	15	14.2	20
SC12G-12-0070	70:1	9.81	0.10	194	50	234	15	14.2	20
SC12G-12-0103	103:1	14.7	0.15	127	55	158	15	15.6	20
SC12G-12-0144	144:1	19.6	0.20	92	55	113	15	15.6	20
SC12G-12-0209	209:1	19.6	0.20	68	40	78	15	15.6	20

Trident Engineering Limited

Trident House, King Street Lane, Winnersh, Wokingham, Berkshire RG41 5AS

Tel: 0118 9786444 Fax: 0118 9776345 email: sales@tridenteng.co.uk www.tridenteng.co.uk