

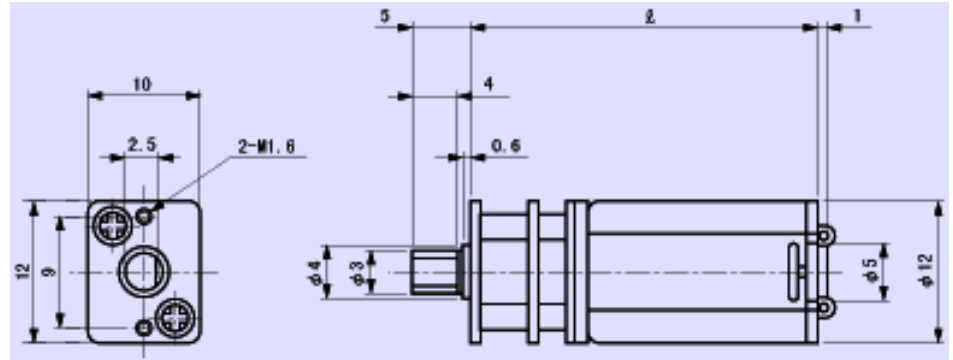
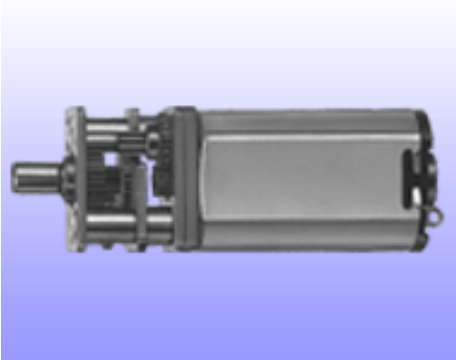
## DC Motors

### DG12 series

- Very small, low mechanical noise
- Output shaft centered
- High output torque

#### Representative applications

- Disc media load/eject mechanism
- Tape media load/eject mechanism
- Pan/tilt mechanism for surveillance cameras



	Voltage V	Gear ratio	Rated				No load		Length'r' mm
			Torque		Speed	Current	Speed	Current	
			mN·m	g-cm	r/min	mA	r/min	mA	
<b>DG12 M type</b>	5	1/75	14.7	150	120	150	160	65	30.2
		1/134	24.5	250	65	150	90	60	30.2
		1/196	39.2	400	43	160	60	60	30.2
<b>DG12 L type</b>	5	1/75	29.4	300	150	310	205	100	40.2
		1/134	49.0	500	80	315	115	100	40.2
		1/196	49.0	500	63	250	80	100	40.2

Winding change and/or options possible for meeting customized performance requirements

[BACK](#)