

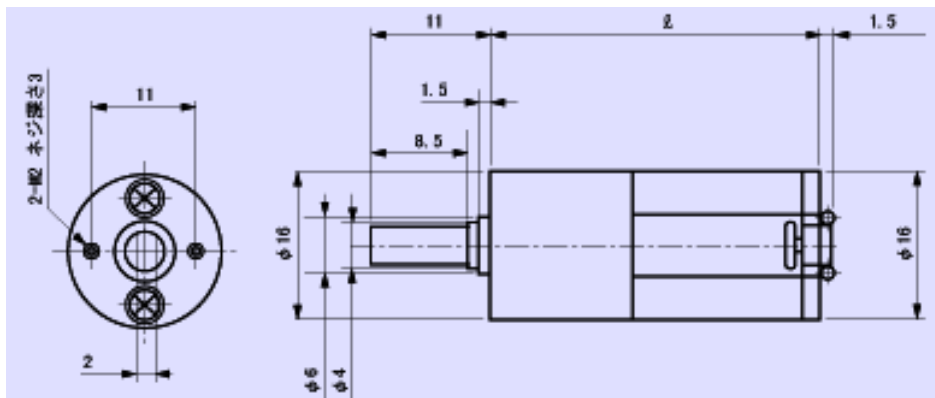
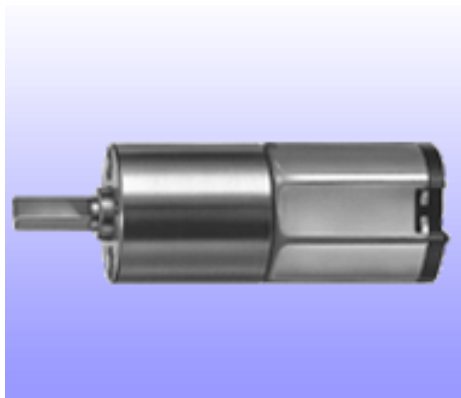
DC Motors

DG16 (Spur gear) series

- Very small, low mechanical noise
- Output shaft centered
- High output torque

Representative applications

- Disc media load/eject mechanism
- Tape media load/eject mechanism
- Copier machines-sorters,paper feeder,lens positioning mechanisms



| | Voltage | Gear ratio | Rated | | | No load | | Length'r' | |
|--------------------|---------|------------|--------|------|-------|---------|-------|-----------|---------|
| | | | Torque | | Speed | Current | Speed | | Current |
| | | | mN· m | g·cm | r/min | mA | r/min | | mA |
| DG16 M type | 12 | 1/34 | 19.6 | 200 | 360 | 180 | 460 | 60 | 35.5 |
| | | 1/53 | 29.4 | 300 | 235 | 180 | 300 | 60 | 35.5 |
| | | 1/97 | 49.0 | 500 | 130 | 170 | 160 | 65 | 37.0 |
| | | 1/150 | 49.0 | 500 | 95 | 130 | 105 | 65 | 37.0 |
| DG16 L type | 12 | 1/34 | 49.0 | 500 | 330 | 260 | 390 | 60 | 47.4 |
| | | 1/53 | 49.0 | 500 | 225 | 190 | 250 | 60 | 47.4 |
| | | 1/97 | 49.0 | 500 | 130 | 130 | 135 | 60 | 48.9 |
| | | 1/150 | 49.0 | 500 | 85 | 110 | 90 | 60 | 48.9 |
| | 24 | 1/34 | 49.0 | 500 | 330 | 160 | 400 | 30 | 47.4 |
| | | 1/53 | 49.0 | 500 | 235 | 110 | 260 | 30 | 47.4 |
| | | 1/97 | 49.0 | 500 | 135 | 75 | 145 | 30 | 48.9 |
| | | 1/150 | 49.0 | 500 | 90 | 60 | 95 | 30 | 48.9 |

Winding change and/or options possible for meeting customized performance requirements