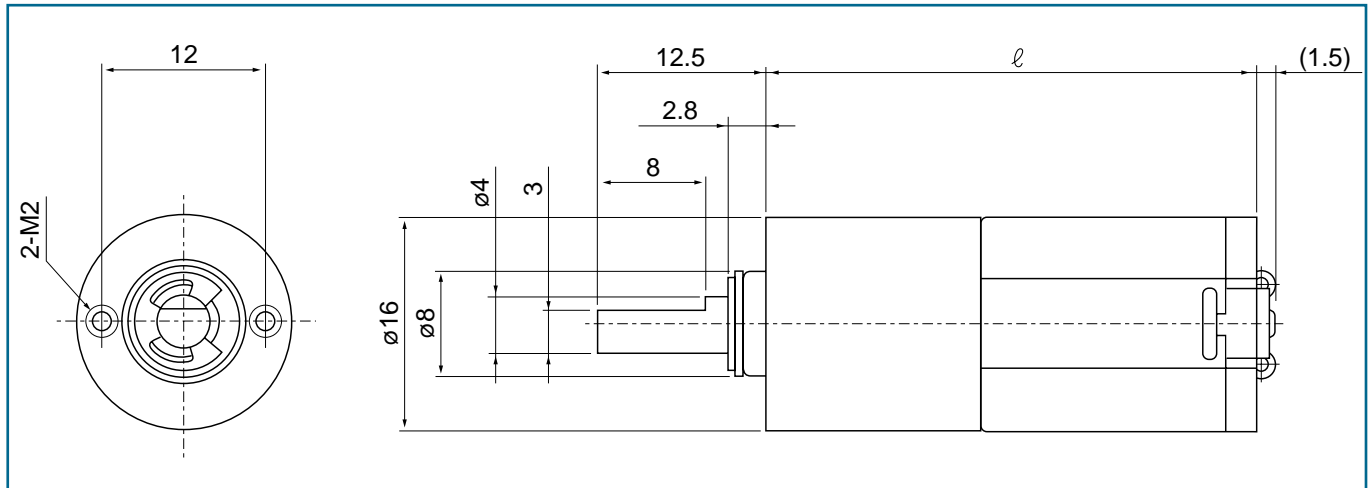


The 3-16 is a high quality skew wound ironcore DC motor gearhead combination manufactured by Canon. It offers low mechanical noise a centred output shaft and a high torque output.

The standard voltages are 12 and 24 volts with stock ratios for 20:1 107:1 and 242:1.

The 3-16 is ideally suited to optical disc and tape media load/eject mechanisms, copier machines-sorters, paper feeders and lens positioning mechanisms.



Part number	Voltage	Ratio	Rated torque mNm	Rated speed rpm	Rated current mA	No load speed rpm	No load current mA	Length ℓ mm
3-16/12-020	12	20:1	19.6	380	210	460	70	47.9
3-16/12-062	12	62:1	49.0	130	190	155	70	51.6
3-16/12-107	12	107:1	98.1	75	190	90	60	51.6
3-16/12-242	12	242:1	147	35	160	40	70	55.3
3-16/12-410	12	410:1	196	21	140	24	70	55.3
3-16/24-020	24	20:1	19.6	430	130	530	45	47.9
3-16/24-062	24	62:1	49.0	155	110	180	40	51.6
3-16/24-107	24	107:1	98.1	90	110	105	30	51.6
3-16/24-242	24	242:1	147	40	90	46	40	55.3
3-16/24-410	24	410:1	196	26	70	28	35	55.3