

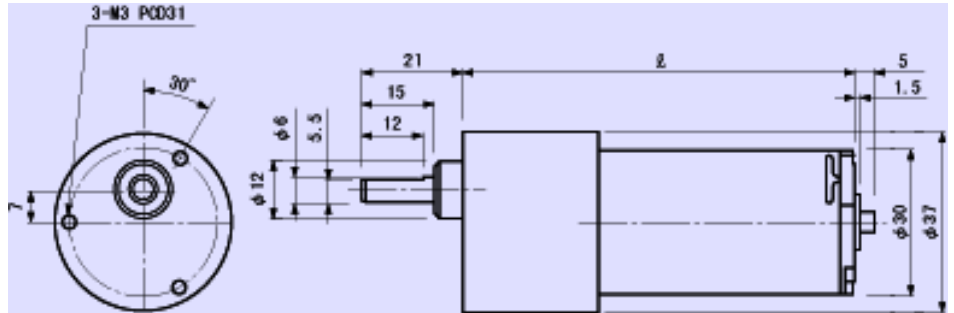
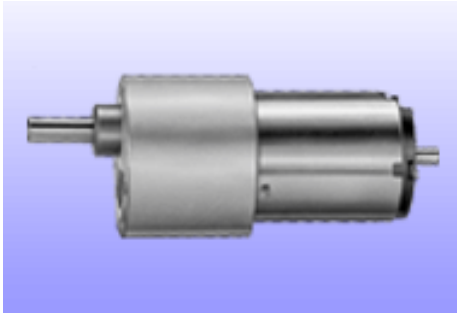
DC Motors

Representative applications

FG30 series

- High output torque
- Low mechanical noise
- Encoders available as options

- ATMs
- Medical equipment
- Tape media load/eject mechanism



	Voltage	Gear ratio	Rated			No load		Length 'r'	
			Torque		Speed	Current	Speed		Current
	V	mN·m	g·cm	r/min	mA	r/min	mA	mm	
FG30	12	1/30	196	2,000	120	440	145	80	79.6
		1/100	294	3,000	40	260	45	80	82.1
		1/150	588	6,000	25	350	30	80	84.6
	24	1/30	196	2,000	125	230	150	40	79.6
		1/100	294	3,000	42	135	45	40	82.1
		1/150	588	6,000	26	180	30	40	84.6

Winding change and/or options possible for meeting customized performance requirements

[BACK](#)