

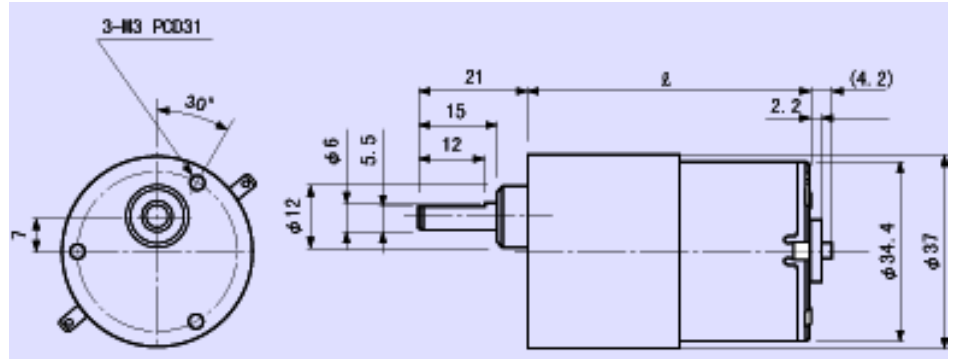
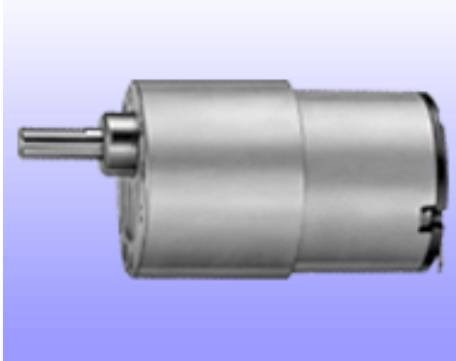
DC Motors

DG35 series

- High output torque
- Low mechanical noise
- Encoders available as options

Representative applications

- Vending machines
- ATMs
- Tape media loading



	Voltage	Gear ratio	Rated			No load		Length'r'	
			Torque		Speed	Current	Speed		Current
			mN·m	g·cm	r/min	mA	r/min		mA
DG35 M type	12	1/30	78.5	800	200	320	225	100	53.7
		1/60	147	1,500	100	325	110	100	56.2
		1/100	245	2,500	60	325	70	100	56.2
		1/150	343	3,500	40	335	45	100	58.7
		1/300	588	6,000	20	300	23	100	58.7
		1/500	588	6,000	12	230	14	100	61.2
	24	1/30	78.5	800	180	160	210	50	53.7
		1/60	147	1,500	90	160	110	50	56.2
		1/100	245	2,500	55	160	65	50	56.2
		1/150	343	3,500	36	165	43	50	58.7
		1/300	588	6,000	19	150	21	50	58.7
		1/500	588	6,000	12	120	13	50	61.2
12	1/30	147	1,500	185	500	215	100	60.3	
	1/60	294	3,000	90	540	110	100	62.8	
	1/100	441	4,500	55	500	65	100	62.8	
	1/150	588	6,000	37	490	45	100	65.3	
	1/300	588	6,000	20	300	22	100	65.3	