

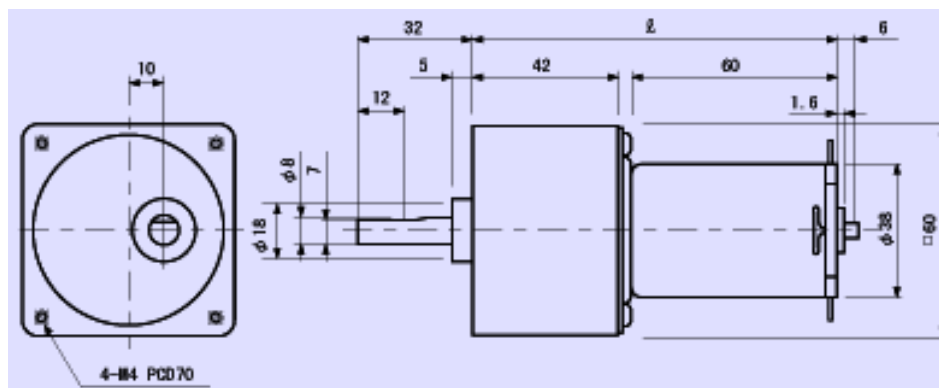
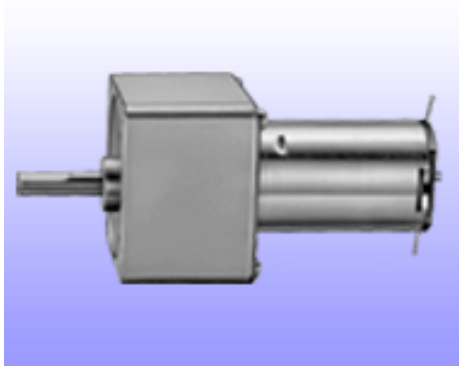
DC Motors

FG38 series

- High output torque
- Low mechanical noise
- Encoders available as options

Representative applications

- Printers
- Medical equipment-pump and image positioning systems
- Tape media load/eject mechanism



	Voltage	Gear ratio	Rated			No load		Length 'r'	
			Torque		Speed	Current	Speed		Current
	V	mN·m	g-cm	r/min	mA	r/min	mA	mm	
FG38	12	1/30	490	5,000	165	1,640	200	200	104.5
		1/100	1,471	15,000	48	1,620	60	260	104.5
		1/150	1,961	20,000	33	1,500	40	230	104.5
	24	1/30	490	5,000	175	850	210	120	104.5
		1/100	1,471	15,000	52	840	62	130	104.5
		1/150	1,961	20,000	35	780	42	130	104.5

Winding change and/or options possible for meeting customized performance requirements

[BACK](#)