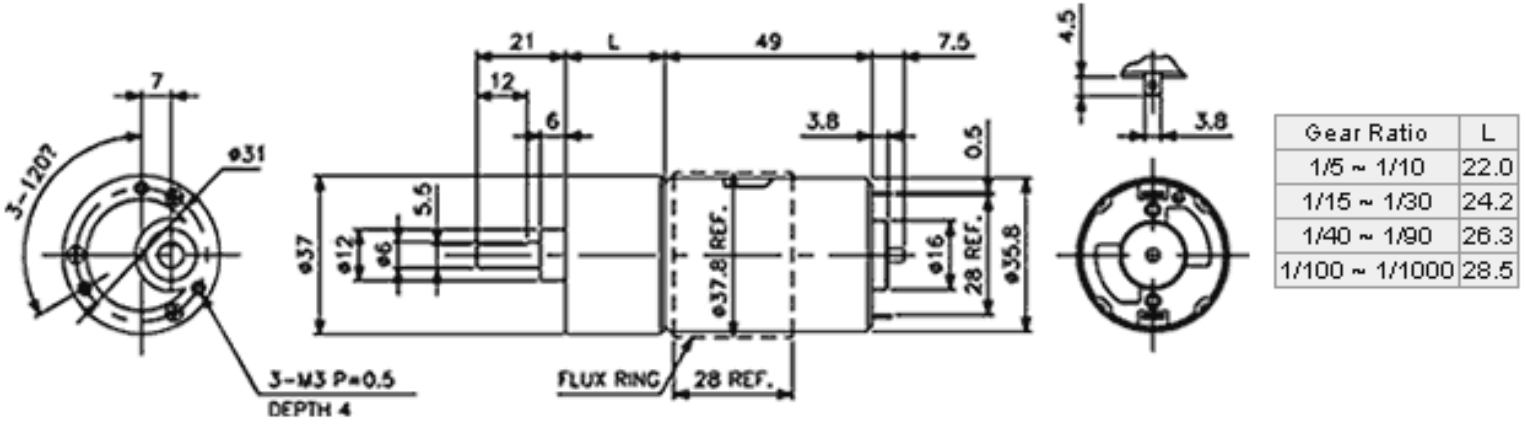




Weight: 285g (approx)

► I would like more information on purchasing this motor

Dimensions (mm)



Specification

Model No. How to read the model numbers	No Load			Max Efficiency							Stall			
	Voltage	Speed	Current	Speed	Torque			Current	Output	Eff.	Torque			Current
	V	RPM	A	RPM	mN-m	g-cm	oz-in	A	W	%	mN-m	g-cm	oz-in	A
37GN3649-260-G-5	36	283	0.056	236	189	1924	26.7	0.28	4.68	45.9	1140	11650	162	1.43
37GN3649-183-G-5	24	239	0.074	200	210	2147	29.8	0.39	4.42	47.7	1300	13240	184	2.00
37GN3649-190-G-5	36	236	0.073	203	369	3763	52.3	0.44	7.85	49.8	2611	26640	370	2.66
37GN3649-216-G-5	24	78.1	0.057	65.5	414	4228	58.7	0.30	2.85	39.2	2570	26200	364	1.58