



PLANETARY GEARHEAD

Plastic Version

GPP22. _ _ _ _

TRIDENT ENGINEERING LIMITED
Trident House, King Street Lane,
Winnersh, Wokingham,
Berkshire, RG41 5AS

Telephone: 0118 978 6444

Fax: 0118 977 6345

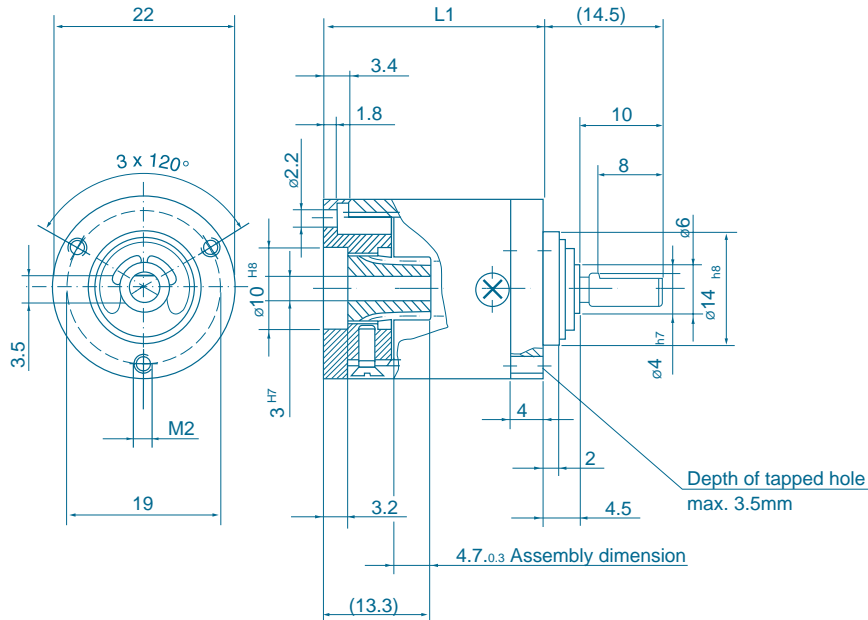
Email: sales@tridenteng.co.uk

www.tridenteng.co.uk

General data					Product combinations		
Planetary gearhead	straight teeth				2-22/02	(This catalogue)	
Bearing at output	sintered				22N _ _	} (API Motion Catalogue)	
Max. permissible axial load	30				22V _ _		
Max. permissible force press fits	150				23V _ _		
Recommended input speed	6,000				26N _ _		
Recommended temperature range	-15/+65				28L _ _		
Number of stages:	1	2	3	4	28LT _ _		
Max. radial load, 10 mm from flange	15 N	30 N	45 N	60 N			
Max backlash	1.5°	2.0°	2.5°	3.0°			
Efficiency	80%	75%	70%	65%			

Gearhead Order No	Reduction	Number of stages	Maximum torque continuous [Nm]	Maximum torque intermittent [Nm]	Sense of direction	Weight [g]	L1 [mm]
GPP22.0004	4:1	1	0.2	0.2	=	41	27.1
GPP22.0014	14:1	2	0.4	0.4	=	42	35.35
GPP22.0025	25:1	2	0.4	0.4	=	52	35.35
GPP22.0051	51:1	3	0.6	0.6	=	63	43.55
GPP22.0093	93:1	3	0.6	0.6	=	63	43.55
GPP22.0169	169:1	3	0.6	0.6	=	63	43.55
GPP22.0189	189:1	4	0.7	0.7	=	74	51.30
GPP22.0344	344:1	4	0.7	0.7	=	74	51.30
GPP22.0626	626:1	4	0.7	0.7	=	74	51.30
GPP22.1140	1140:1	4	0.7	0.7	=	74	51.30

The ratios shown are stock ratios, there are many more options available - please contact our technical department for more details.



Notes