



# SPUR GEARHEAD

TRIDENT ENGINEERING LIMITED  
Trident House, King Street Lane,  
Winnersh, Wokingham,  
Berkshire, RG41 5AS

Telephone: 0118 978 6444

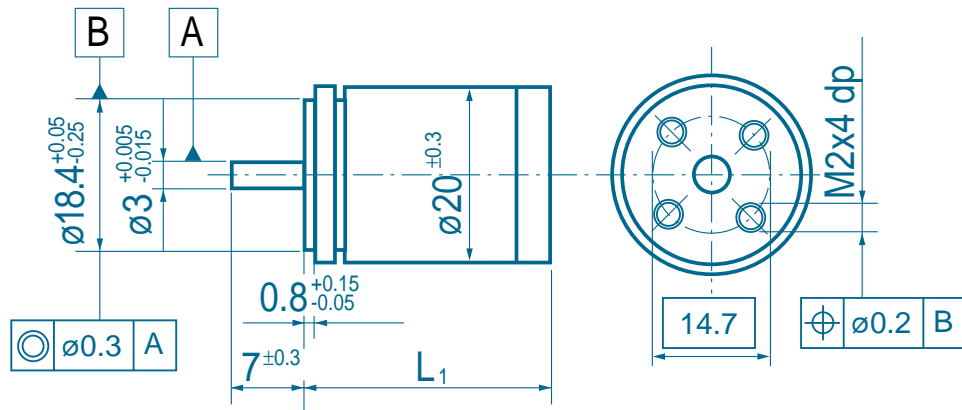
Fax: 0118 977 6345

Email: sales@tridenteng.co.uk

www.tridenteng.co.uk

GS20.\_ \_ \_ \_

General data			Product combinations				
Spur gearhead			straight teeth			2-18/03	
Bearing at output			sleeve bearing				
Radial play, 5mm from flange			max. 0.1	mm			
Axial play			0.01-0,18	mm			
Max. perm. radial load, 7mm from flange			4	N			
Max. permissible axial load			4	N			
Max. permissible force for press fits			200	N			
Average backlash no load			3.5	°			
Backlash at 0.05 Nm torque			4	°			
Efficiency per stage			~90	%			
Recommended input speed			<5000	rpm			
Recommended temperature range			-5/+60	°C			
Gearhead Order No	Ratio	Number of stages	Maximum torque continuous [Nm]	Maximum torque intermittent [Nm]	Direction of rotation w.r.t. motor	Weight [g]	L1 [mm]
GS20.0015	15:1	4	0.01	0.05	=	20	24.2
GS20.0030	30:1	4	0.02	0.10	=	20	24.2
GS20.0050	50:1	4	0.02	0.10	=	20	24.2
GS20.0060	60:1	4	0.02	0.10	=	20	24.2
GS20.0100	100:1	6	0.03	0.15	=	20	24.2
GS20.0150	150:1	6	0.03	0.15	=	20	24.2
GS20.0200	200:1	6	0.04	0.20	=	20	24.2
GS20.0300	300:1	6	0.05	0.25	=	20	24.2
GS20.0500	500:1	6	0.05	0.25	=	20	24.2
GS20.1000	1000:1	6	0.05	0.25	=	20	24.2
GS20.1500	1500:1	8	0.015	0.075	=	20	24.2
GS20.3000	3000:1	8	0.015	0.075	=	20	24.2



## Notes