



# SPUR GEARHEAD

TRIDENT ENGINEERING LIMITED  
Trident House, King Street Lane,  
Winnersh, Wokingham,  
Berkshire, RG41 5AS

Telephone: 0118 978 6444

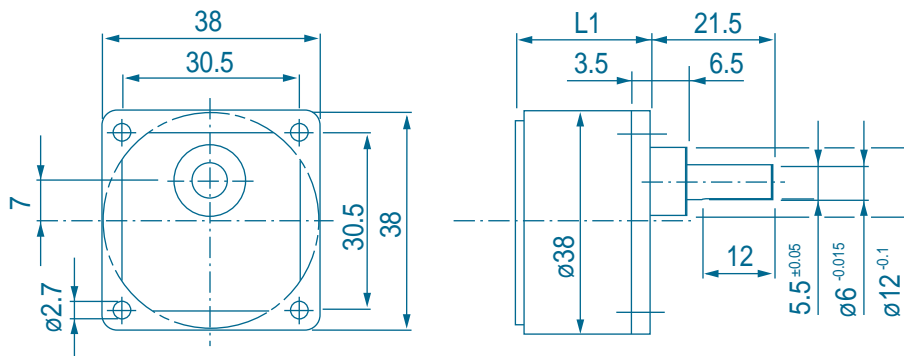
Fax: 0118 977 6345

Email: sales@tridenteng.co.uk

www.tridenteng.co.uk

GS38.\_ \_ \_ \_

General data				Product combinations					
Bearing on output shaft			sleeve						2-29/02
Maximum radial load									2-22/02
5 mm from bearing			45		N				2-40/07
Maximum axial load			30		N				2-40/12
Maximum press on force									3-30/05
spindle supported at rear end 1			450		N				
Radial play, 5 mm from bearing			<0.1		mm				
Axial play			max 0.2		mm				
Max. recommended input speed,			-5000		rpm				
Backlash at no load			1		°				
Backlash at nominal load			3		°				
Temperature range			-10/+90		°C				
Gearhead Order No	Ratio	Number of stages	Efficiency [%]	Maximum torque continuous [Nm]	Maximum torque intermittent [Nm]	Direction of rotation w.r.t. motor	Weight [g]	L1 [mm]	
GS38.0006	6:1	2	82	0.15	0.3	=	55	16	
GS38.0010	10:1	2	82	0.15	0.4	=	55	16	
GS38.0018	18:1	3	74	0.25	0.6	≠	60	18.5	
GS38.0030	30:1	3	74	0.25	0.7	≠	60	18.5	
GS38.0060	60:1	4	67	0.4	1.8	=	65	21	
GS38.0100	100:1	4	67	0.7	1.8	=	65	21	
GS38.0200	200:1	5	61	0.7	1.8	≠	70	23.5	
GS38.0500	500:1	6	55	0.7	2.0	=	75	26	
GS38.0900	900:1	6	55	0.7	2.0	=	75	26	



## Notes