

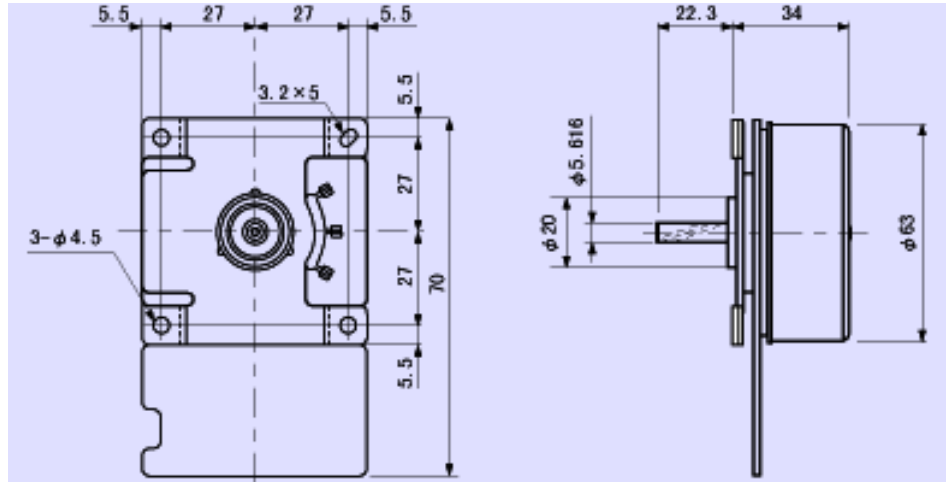
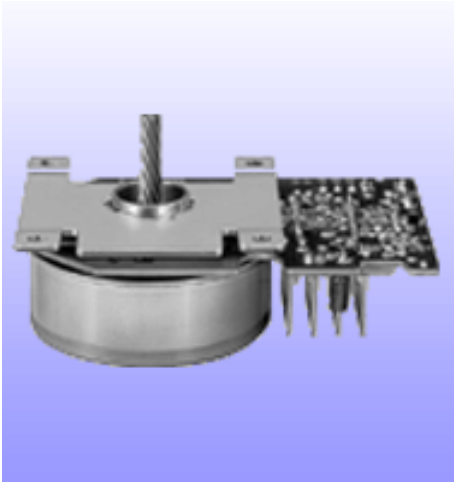
DC Motors

BN63 series

- Outer rotor brushless motor, high output torque
- Highly accurate speed control
- Long life

Representative applications

- Various transport mechanisms
- Motorized actuators
- Main motor for copier machines



	Voltage	Rated					No load		Starting torque	
		Power output	Torque		Speed	Current	Speed	Current		
	V	W	mN·m	g-cm	r/min	mA	r/min	mA	mN·m	g-cm
BN63	24	15	98	1,000	1,433	1,090	(1,433)	130	176	1,800

Winding change and/or options possible for meeting customized performance requirements

[BACK](#)