

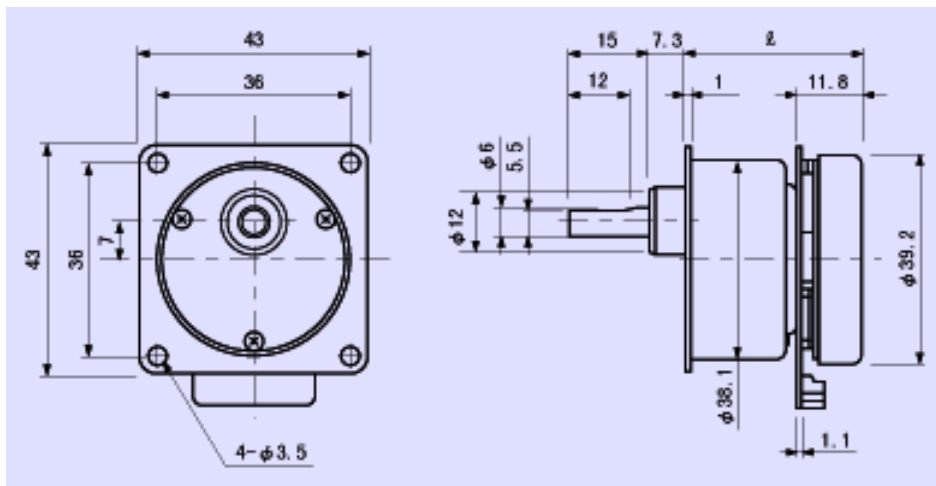
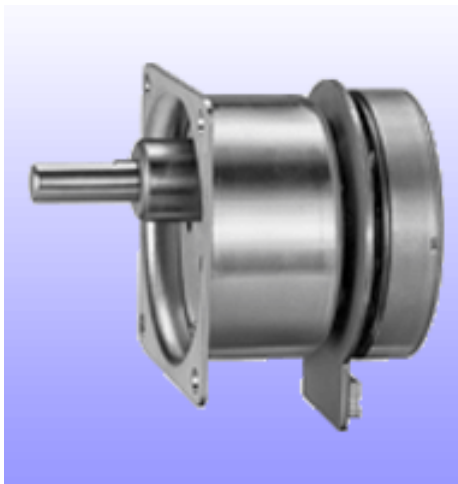
## DC Motors

### BG39 series

- Brushless motor with built-in circuitry
- Long life
- Small & compact design

#### Representative applications

- ATMs
- Vending machines
- Medical equipment



	Voltage	Gear ratio	Rated				No load		Length'r'
			Torque		Speed	Current	Speed	Current	
			mN·m	g-cm	r/min	mA	r/min	mA	
<b>BG39</b>	24	1/30	88	900	150	225	243	190	32.6
		1/36	98	1,000	124	228	203	190	35.1
		1/59	147	1,500	78	217	124	190	35.1
		1/103	245	2,500	44	225	71	190	37.6
		1/151	343	3,500	30	219	48	190	37.6
		1/200	441	4,500	23	215	37	190	37.6
		1/303	637	6,500	25	223	24	190	40.1
		1/495	1,030	10,500	9	222	15	190	40.1

Winding change and/or options possible for meeting customized performance requirements

[BACK](#)