

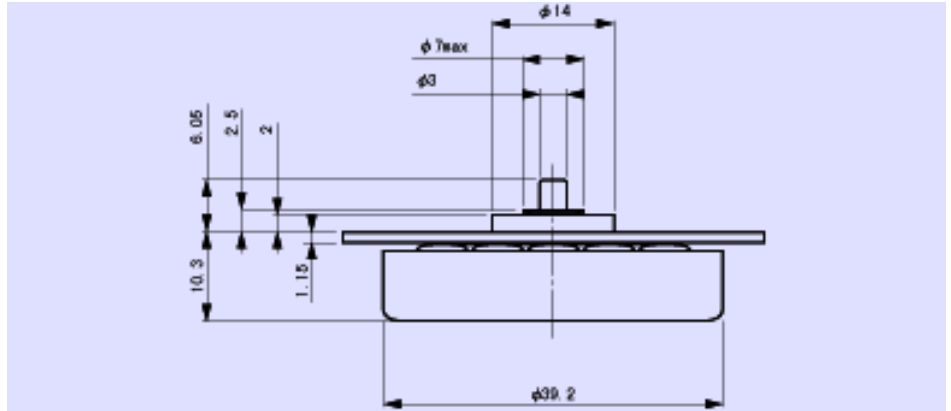
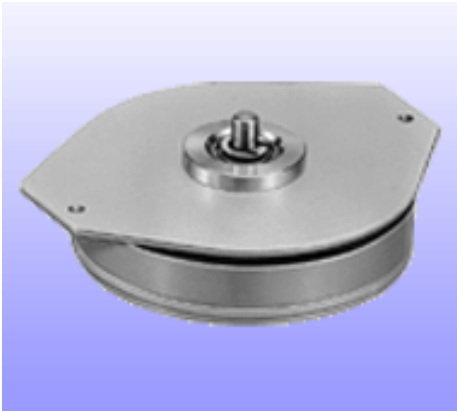
DC Motors

BN39 series

- Small, compact design
- High output power, long life
- Highly accurate shaft perpendicularity

Representative applications

- CD-ROM disc spindle
- Barcode scanner
- Damper actuator for air conditioning systems



	Voltage	Rated					No load		Starting torque	
		Power output	Torque		Speed	Current	Speed	Current		
	V	W	mN·m	g-cm	r/min	mA	r/min	mA	mN·m	g-cm
BN39	12	2.5	4.9	50	4,900	560	6,700	200	18.6	190

Winding change and/or options possible for meeting customized performance requirements

[BACK](#)