

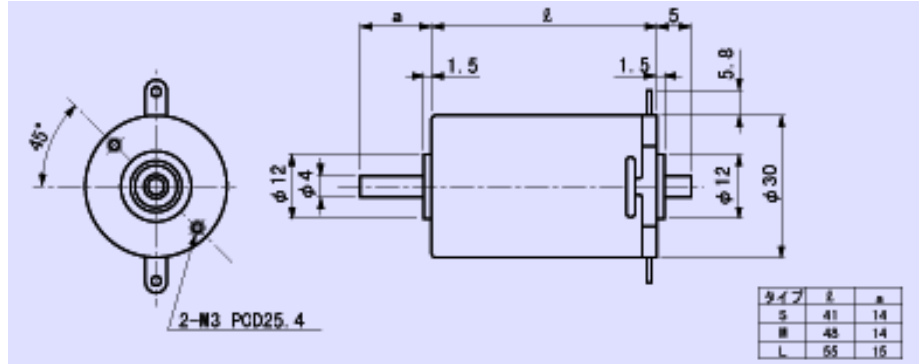
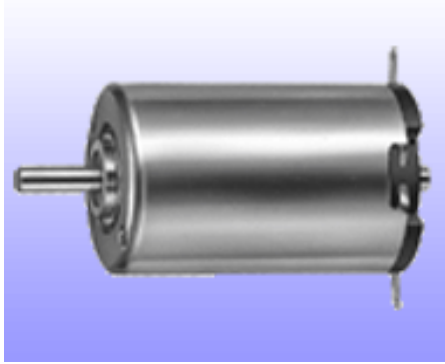
# DC Motors

## FN30 series

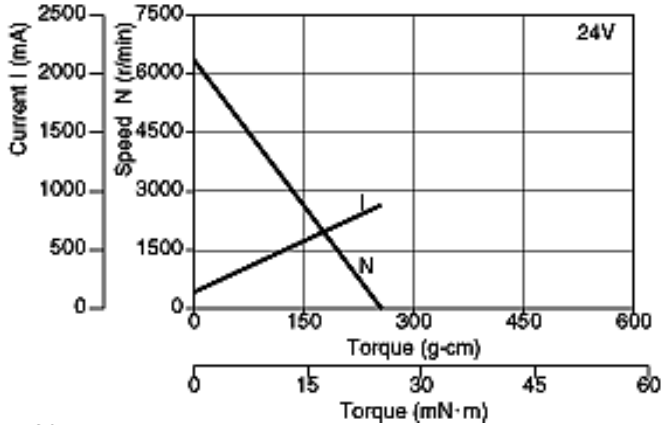
- High power output, low mechanical/electrical noise, high speed response
- 3 motor lengths enabling versatility
- Matching gear heads & encoders available as options

### Representative applications

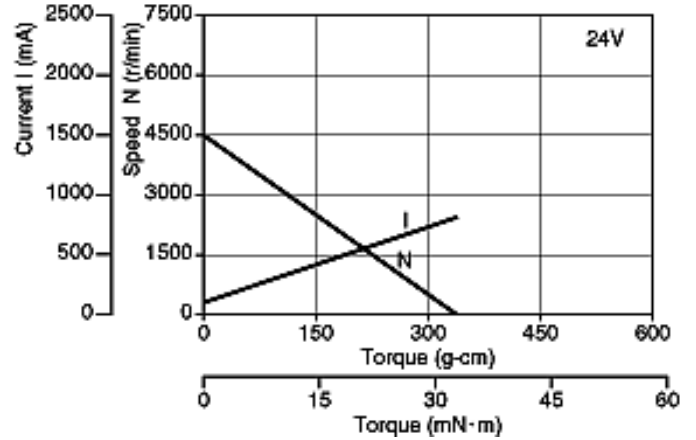
- Printer carriage mechanism
- ATMs-printer, bill feeder, paper cutter, shutter mechanisms
- Vending machine product advance mechanism



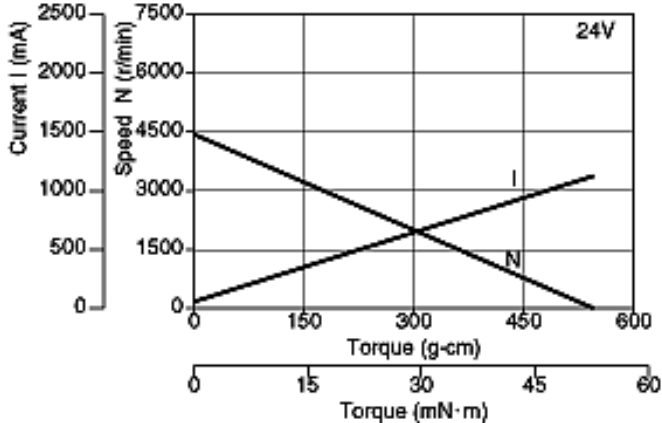
### FN30 S type



### FN30 M type



### FN30 L type



		FN30 S type		FN30 M type		FN30 L type		
Voltage	V	12	24	12	24	12	24	
R a t e d	Power output	W	3.6	3.4	3.4	3.3	4.9	4.8
	Torque	mN·m	7.35	7.35	9.81	9.81	14.7	14.7
		g·cm	75	75	100	100	150	150
	Speed	r/min	4,650	4,400	3,300	3,200	3,200	3,100
Current	mA	550	300	520	230	670	350	
N o l o a d	Speed	r/min	6,300	6,300	4,800	4,500	4,400	4,400
	Current	mA	110	50	80	30	75	40
Starting torque	mN·m	26.5	25.5	34.3	34.3	53.9	53.9	
	g·cm	270	260	350	350	550	550	
Torque constant	mN·m/A	17.1	29.7	21.9	49.9	24.8	48.0	
	g·cm/A	174	303	223	509	253	489	
Voltage constant	V/1000 r/min	1.79	3.11	2.30	5.23	2.60	5.02	
Winding resistance	&Omega;	6.7	27.3	6.9	32.9	5.3	20.5	
Winding inductance	mH	3.6	14.7	4.1	17.3	3.1	12.5	
Moment of inertia	g·cm <sup>2</sup>	14	14	22	22	32	32	
Mechanical constant	mS	33	44	32	29	28	27	
Thermal resistance	°C/W	28	27	24	24	21	20	

Winding change and/or options possible for meeting customized performance requirements

[BACK](#)

**COPYRIGHT(c)2002-2003 CANON PRECISION INC. ALL RIGHTS RESERVED.**