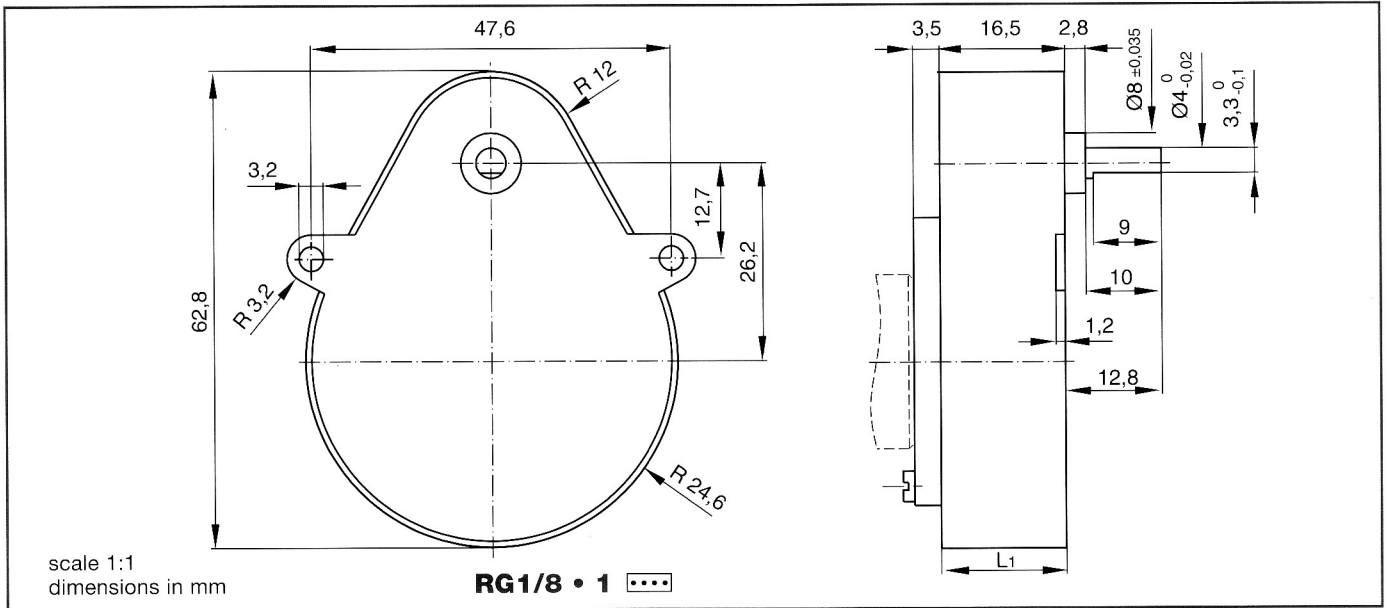


escap RG1/8

Reduction gearbox with spur gears

Gearbox
0.6 Nm



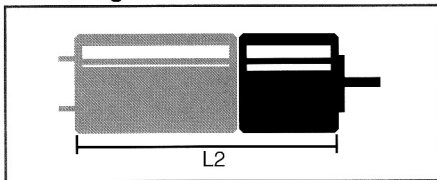
Ratio	...	5.5	12	24	48	96	150	480	750	1200	1920	3000
1 No. of gear stages		2	3	3	4	4	4	5	5	6	6	6
2 Dir. of rotation		=	≠	≠	=	=	=	≠	≠	=	=	=
3 Efficiency		0.8	0.7	0.7	0.65	0.65	0.65	0.6	0.6	0.55	0.55	0.55
4 L1 (mm)		16.5	16.5	16.5	16.5	16.5	16.5	16.5	16.5	16.5	16.5	16.5
5 Mass (g)		64	66	66	68	68	68	70	70	72	72	72
6 Available with motor		L2- length with motor (mm)										
22N28 • 204		52	52	52	52	52	52	52	52	52	52	52
22V28 • 201		54.4	54.4	54.4	54.4	54.4	54.4	54.4	54.4	54.4	54.4	54.4
23DT12 • 1		70.5	70.5	70.5	70.5	70.5	70.5	70.5	70.5	70.5	70.5	70.5
P310 • 09		35.2	35.2	35.2	35.2	35.2	35.2	35.2	35.2	35.2	35.2	35.2

Also available: **22V48 • 204 / 23DT2R12 • 88 / 23LT12 • 1 / 23LT2R12 • 120 / 23V58 • 1 / 23V48 • 9 / 26N58 • 1 / 26N48 • 6 / 28L28 • 49 / 28LT12 • 49 / 23HV48 • 1**

Availability: see enclosed document at the end of the catalogue

This gearbox is also available with a built-in clutch.

Motor + gearbox = L2



Characteristics

RG1/8 • 1 RG1/8 2R • 1

7 Bearing type		sleeve bearings	ball bearings
8 Max. static torque	Nm (oz-in)	1 (140)	1 (140)
9 Max. radial force at 8 mm from mounting face	N (lb)	50 (11.25)	150 (33.75)
10 Max. axial force	N (lb)	50 (11.25)	250 (56)
11 Force for press-fit	N (lb)	200 (45)	300 (67.5)
12 Average backlash at no-load		1.5°	1.5°
13 Average backlash at 0.6 Nm		3°	3°
14 Radial play	µm	≤ 60	≤ 20
15 Axial play	µm	50 -250	≤ 200
16 Max. recom. input speed	rpm	5000	5000
17 Operating temperature range	°C (°F)	-30 ... +65 (-22...+150)	

