

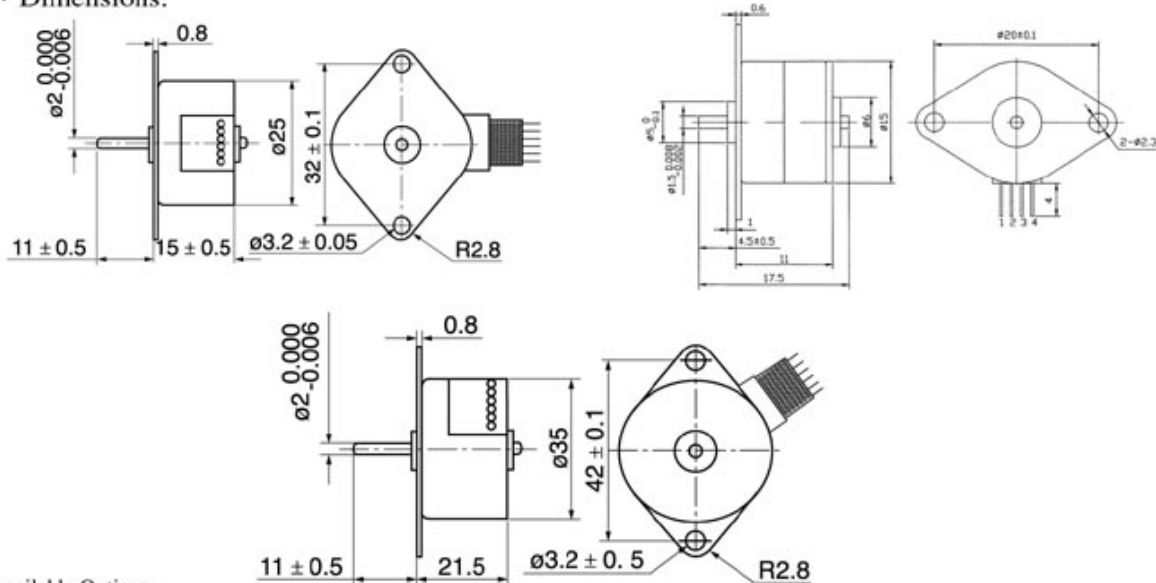


Stepping Motors 15/25/35

Permanent magnet

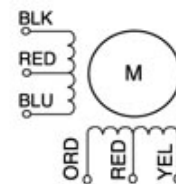
TRIDENT ENGINEERING
TRIDENT HOUSE
2 KING STREET LANE
WINNERSH
RG41 5AS

• Dimensions:



Model		15PM15-01	25PM15-01	25PM15-02	35PM15-01	35PM22-01
1	Basic step angle	18	7,5	15	7,5	7,5
2	Step angle accuracy (full step, no load)	%	± 5%	± 5%	± 5%	± 5%
3	Rated Voltage	V	12	5	5	5
4	Current / Phase	A	0,65	0,5	0,43	0,86
5	Resistance / Phase	Ω	190	10	11,5	10
6	Inductance / Phase	mH		3,2	3,2	6,5
7	Holding Torque	Ncm	0,4	1,7	1,1	2,5
8	Detent torque	Ncm	0,46	0,45	0,48	0,65
9	Rotor Inertia	g-cm ²	1	1	0,6	2,5
10	Weight	Kg	0,010	0,042	0,042	0,07
11	Motor length	mm	11	15	15	22

- Resistance accuracy ± 10%
- Inductance accuracy ± 20%
- Temperature rise 80° C max. (rated current, 2 phase on)
- Ambient temperature -10° C - + 50° C
- Insulation resistance 100 M Ω min., 500 VDC
- Dielectric strength 500 VAC for one minute
- Shaft radial play 0,06 max. (450 g-load)
- Shaft axial play 0,08 max. (450 g-load)



Available options:

Motor modifications: custom winding, special bearing, special tap.
Shaft modifications: flat, pinion, keyway, length.
Leadwire modifications: wire type, wire color, wire length, connector installation.