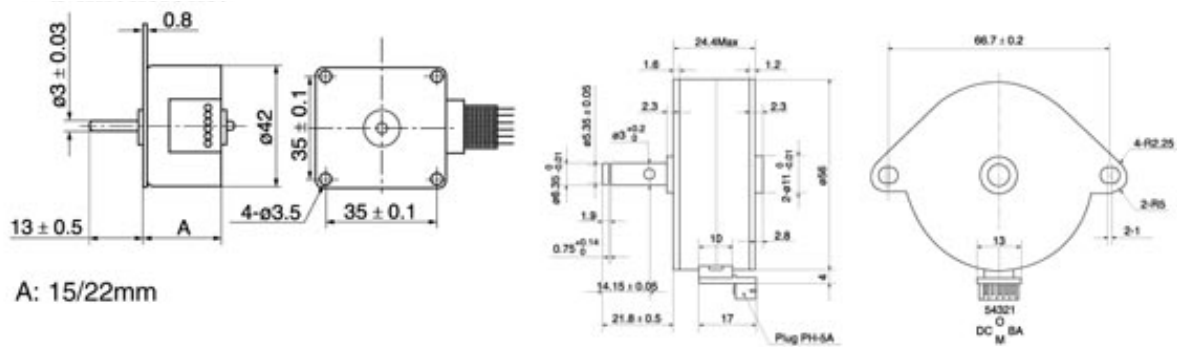




# Stepping Motors 42/55

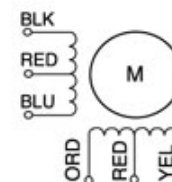
## Permanent magnet

Delta Precision Motors Ltd.  
 A21, 4/F - Sheung Shui Plaza  
 3 Ka Fu Close  
 Sheung Shui, N.T  
 Hong Kong  
 www.dpmotor.com



Model		42PM15-01	42PM15-03	42PM22-01	42PM22-03	55PM24-01
1	Basic step angle	7,5	7,5	7,5	7,5	7,5/3,75
2	Step angle accuracy (full step, no load)	%	$\pm 5\%$	$\pm 5\%$	$\pm 5\%$	$\pm 5\%$
3	Rated Voltage	V	5	12	5	12
4	Current / Phase	A	0,58	0,24	0,81	0,34
5	Resistance / Phase	$\Omega$	8,6	50	6,2	35
6	Inductance / Phase	mH	4,5	28	5,5	30
7	Holding Torque	Ncm	4	4	6,5	6,5
8	Detent torque	Ncm	1,1	1,4	1,4	1,4
9	Rotor Inertia	g-cm <sup>2</sup>	9,6	9,6	11,4	11,4
10	Weight	Kg	0,120	0,120	0,144	0,144
11	Motor length	mm	15	15	22	22

- Resistance accuracy  $\pm 10\%$
- Inductance accuracy  $\pm 20\%$
- Temperature rise  $80^\circ \text{C max. (rated current, 2 phase on)}$
- Ambient temperature  $-10^\circ \text{C} - + 50^\circ \text{C}$
- Insulation resistance  $100 \text{ M } \Omega \text{ min., } 500 \text{ VDC}$
- Dielectric strength  $500 \text{ VAC for one minute}$
- Shaft radial play  $0,06 \text{ max. (450 g-load)}$
- Shaft axial play  $0,08 \text{ max. (450 g-load)}$



### Available options:

Motor modifications: custom winding, special bearing, special tap.  
 Shaft modifications: flat, pinion, keyway, length.  
 Leadwire modifications: wire type, wire color, wire length, connector installation.