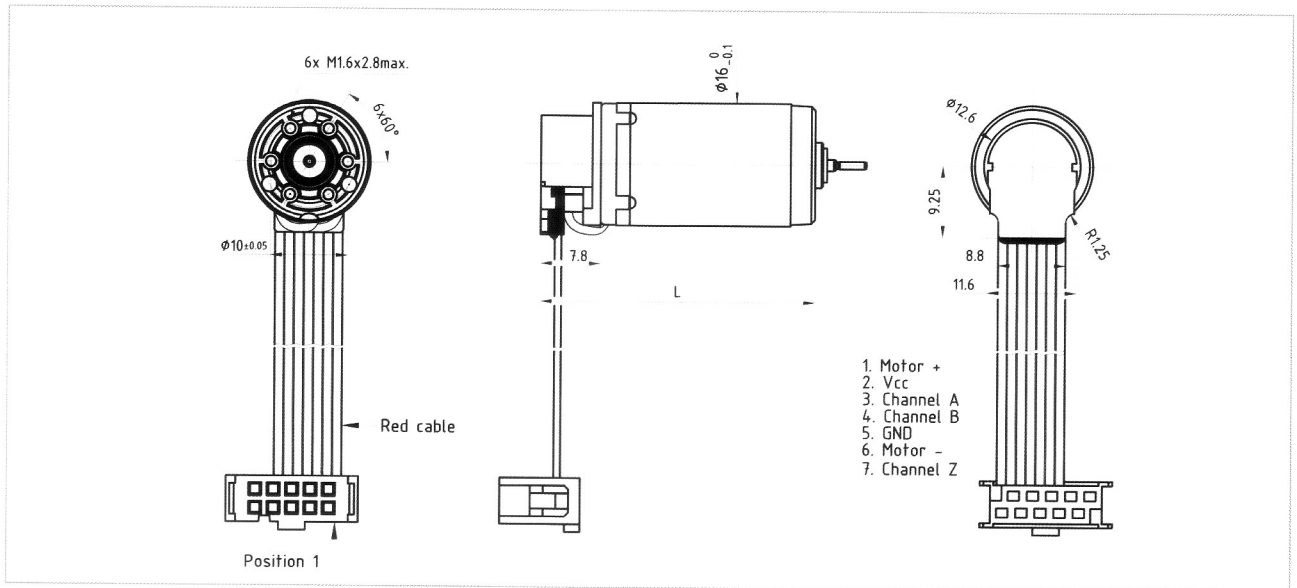


MR2 Encoder
Magneto-resistive Encoder

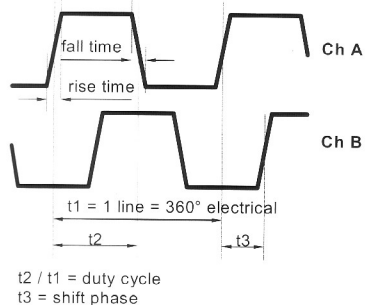


Specification

	unit	value	tolerance
Encoder specifications (Vcc = 5.0V / 22°C)			
Output: 2-3 channels, square wave in quadrature, optional reference, 4 to 512 pulses per revolution, TTL and CMOS compatible.			
All following resolution are available: 512, 500, 400, 256, 250, 200, 160, 128, 100, 80, 64, 50, 40, 32, 20, 16, 8 & 4.			
Supply voltage min / max	V	4.5 / 5.5	Min / Max
Supply current nominal / max	mA	20 / 25	Typical / Max
Rise/fall time (CL=50pF)	ns	60 / 60	Rise / Fall Max
Output frequency	MHz	1.28	Max
Electrical phase shift	°	90	± 45
Pulse width Channel A	%	50	± 15
Pulse width Channel B	%	50	± 15
Max. speed @ 512 [ppr]	rpm	30'000	Max
Operating temperature	°	-25 / 85	Min / max

Motor Type	08G / GS	12G	13N	16N	16G	17N/S/V	22N/S/V	23GST	25GST/GT	35NT
Encoder additional length [mm]	5.7	8.7	9.35	7.8	7.8	7.8	6.1	6.9	9.45	7.55

Output signals:



Output connector:

1. Motor +
2. Vcc
3. Channel A
4. Channel B
5. GND
6. Motor -
7. Channel Z

Connector 10 poles
 type Quickie II or equivalent
 DIN 41651 A (UL E68080)

