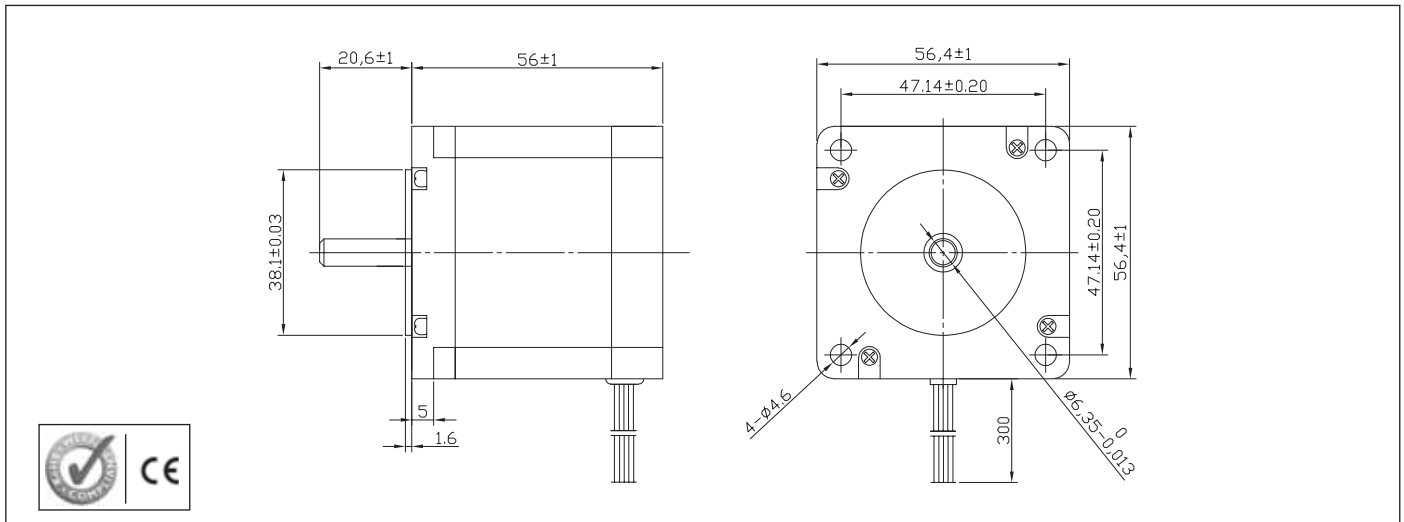


57SH56 High Torque Hybrid Stepper Motor



Characteristics

STEP ANGLE
1,8°

STEP ANGLE ACCURACY
± 5%

INSULATION CLASS
B

AMBIENT TEMPERATURE
-20°C +50°C

TEMP. RISE
80°C MAX (RATED CURRENT, 2 PHASE ON)

INSULATION RESISTANCE
100 M OHM MIN. 500 VDC

DIELECTRIC STRENGTH
500 VAC FOR ONE MINUTE

SHAFT RADIAL PLAY
0,02 MAX (450 G LOAD)

SHAFT AXIAL PLAY
0,08 MAX. (450 G LOAD)

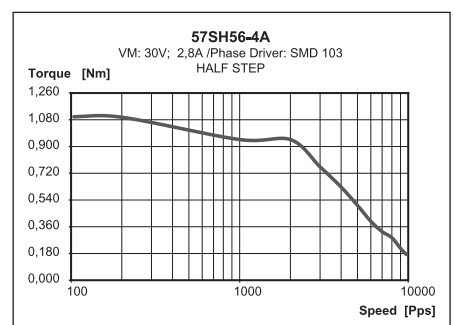
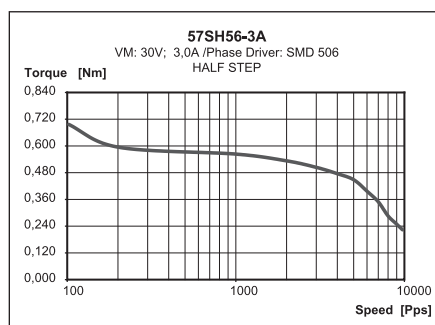
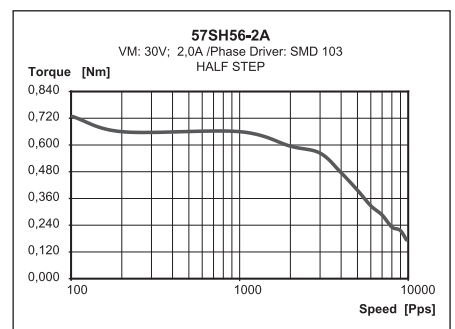
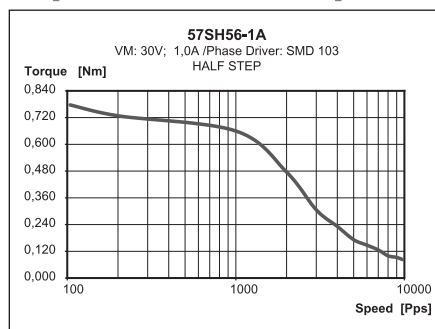
MAX RADIAL FORCE
75 N (20 MM FROM FRONT FLANGE)

MAX AXIAL FORCE
15 N

Specification

| Model | 57SH56-1A | 57SH56-2A | 57SH56-3A | 57SH56-4A |
|-----------------------|-----------|-----------|-----------|-----------|
| 1 RATED VOLTAGE V | 7,4 | 3,6 | 2,3 | 2,5 |
| 2 CURRENT/PHASE A | 1 | 2 | 3 | 2,8 |
| 3 RESISTANCE/PHASE Ω | 7,4 | 1,8 | 0,75 | 0,9 |
| 4 INDUCTANCE/PHASE mH | 10 | 2,5 | 1,1 | 2,5 |
| 5 HOLDING TORQUE Nm | 0,9 | 0,9 | 0,9 | 1,26 |
| 6 ROTOR INERTIA g·CM² | 300 | 300 | 300 | 300 |
| 7 WEIGHT Kg | 0,7 | 0,7 | 0,7 | 0,7 |
| 8 NUMBER OF LEADS N° | 6 | 6 | 6 | 4 |

Speed vs. Torque Characteristics



Connection

| LEAD N° | COLOR | GAUGE | FUNCTION |
|-----------------------|--------|--------------|-------------|
| 1 | BLACK | UL1430 AWG22 | PHASE A |
| 2 | GREEN | UL1430 AWG22 | PHASE A- |
| 3 | RED | UL1430 AWG22 | PHASE B |
| 4 | BLUE | UL1430 AWG22 | PHASE B- |
| UNIPOLAR MOTOR | | | |
| 5 | YELLOW | UL1430 AWG22 | COM PHASE A |
| 6 | WHITE | UL1430 AWG22 | COM PHASE B |