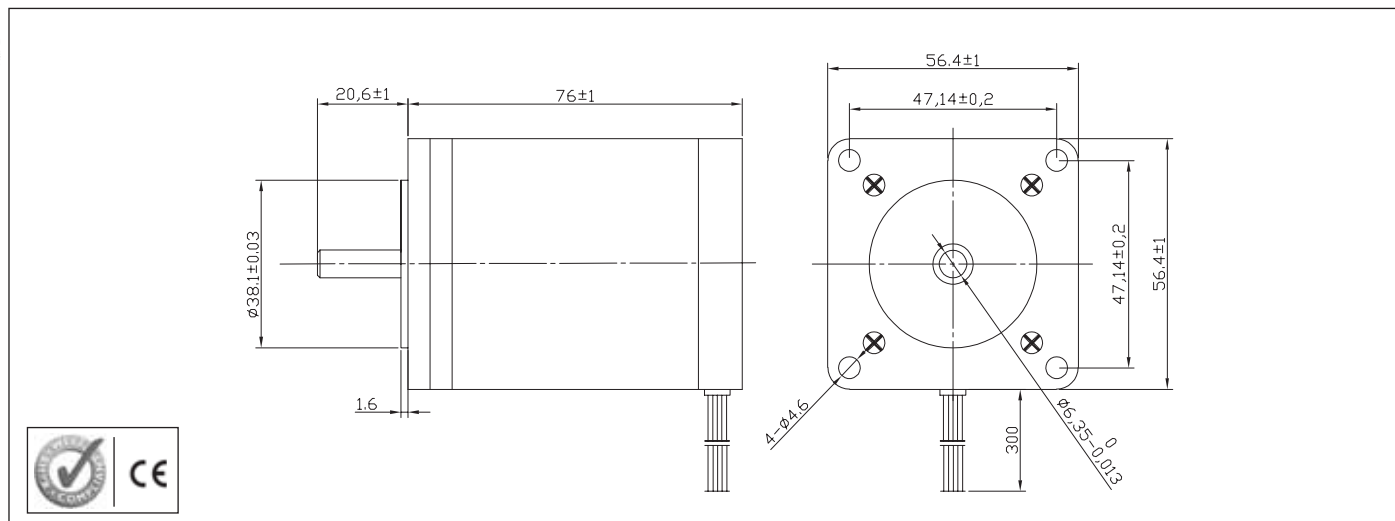


# Stepper Motor 57S76 High Torque Hybrid



## Characteristics

STEP ANGLE  
1,8°

STEP ANGLE ACCURACY  
 $\pm 5\%$

INSULATION CLASS  
B

AMBIENT TEMPERATURE  
-20°C +50°C

TEMP. RISE  
80°C MAX (RATED CURRENT, 2 PHASE ON)

INSULATION RESISTANCE  
100 M OHM MIN. 500 VDC

DIELECTRIC STRENGTH  
500 VAC FOR ONE MINUTE

SHAFT RADIAL PLAY  
0,02 MAX (450 G LOAD)

SHAFT AXIAL PLAY  
0,08 MAX. (450 G LOAD)

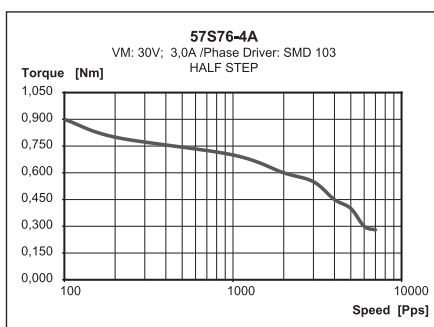
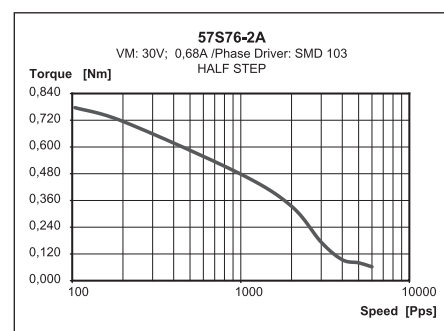
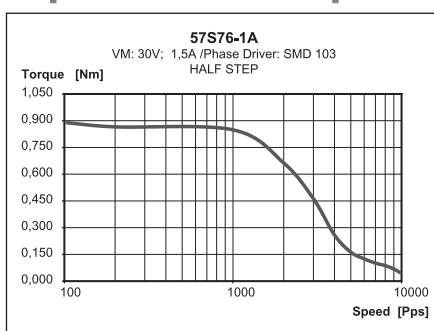
MAX RADIAL FORCE  
75 N (20 MM FROM FRONT FLANGE)

MAX AXIAL FORCE  
15 N

## Specification

Model	57S76-1A	57S76-2A	57S76-4A
1 RATED VOLTAGE V	5,4	12	2,7
2 CURRENT/PHASE A	1,5	0,68	3,3
3 RESISTANCE/PHASE $\Omega$	3,6	17,7	0,85
4 INDUCTANCE/PHASE MH	6	30	3
5 HOLDING TORQUE NM	0,9	0,9	1,25
6 ROTOR INERTIA G-CM <sup>2</sup>	200	200	200
7 WEIGHT KG	0,95	0,95	0,95
8 NUMBER OF LEADS N°	6	6	4

## Speed vs. Torque Characteristics



## Connection

LEAD N°	COLOR	GAUGE	FUNCTION
1	BLACK	UL1430 AWG22	PHASE A
2	GREEN	UL1430 AWG22	PHASE A-
3	RED	UL1430 AWG22	PHASE B
4	BLUE	UL1430 AWG22	PHASE B-
<b>UNIPOLAR MOTOR</b>			
5	YELLOW	UL1430 AWG22	COM PHASE A
6	WHITE	UL1430 AWG22	COM PHASE B