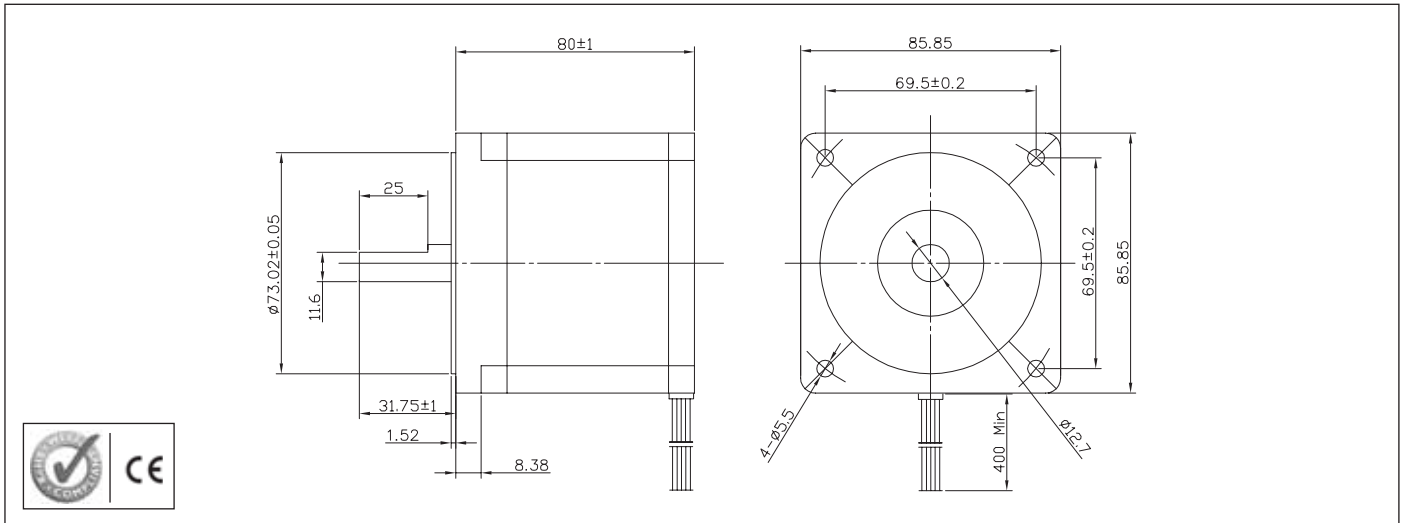


86SH80 High Torque Hybrid Stepper Motor



Characteristics

STEP ANGLE

1,8°

STEP ANGLE ACCURACY

± 5%

INSULATION CLASS

B

AMBIENT TEMPERATURE

-20°C +50°C

TEMP. RISE

80°C MAX (RATED CURRENT, 2 PHASE ON)

INSULATION RESISTANCE

100 M OHM MIN. 500 VDC

DIELECTRIC STRENGTH

820 VAC FOR ONE MINUTE

SHAFT RADIAL PLAY

0,02 MAX (450 G LOAD)

SHAFT AXIAL PLAY

0,08 MAX. (450 G LOAD)

MAX RADIAL FORCE

220 N (20 MM FROM FRONT FLANGE)

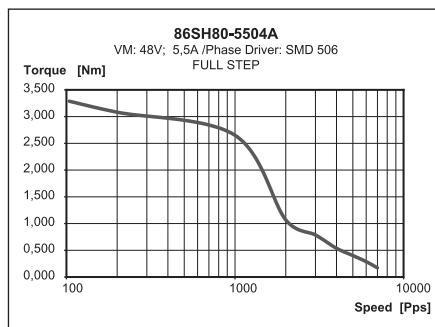
MAX AXIAL FORCE

60 N

Specification

Model		86SH80-5504A			
1	RATED VOLTAGE	V	2,3	-	-
2	CURRENT/PHASE	A	5,5	-	-
3	RESISTANCE/PHASE	Ω	0,42	-	-
4	INDUCTANCE/PHASE	MH	3,5	-	-
5	HOLDING TORQUE	NM	4,6	-	-
6	ROTOR INERTIA	G-CM ²	1400	-	-
7	WEIGHT	KG	2,3	-	-
8	NUMBER OF LEADS	N°	4	-	-

Speed vs. Torque Characteristics



Connection

LEAD N°	COLOR	GAUGE	FUNCTION
1	RED	UL1430 AWG20	PHASE A
2	WHITE	UL1430 AWG20	PHASE A-
3	YELLOW	UL1430 AWG20	PHASE B
4	GREEN	UL1430 AWG20	PHASE B-