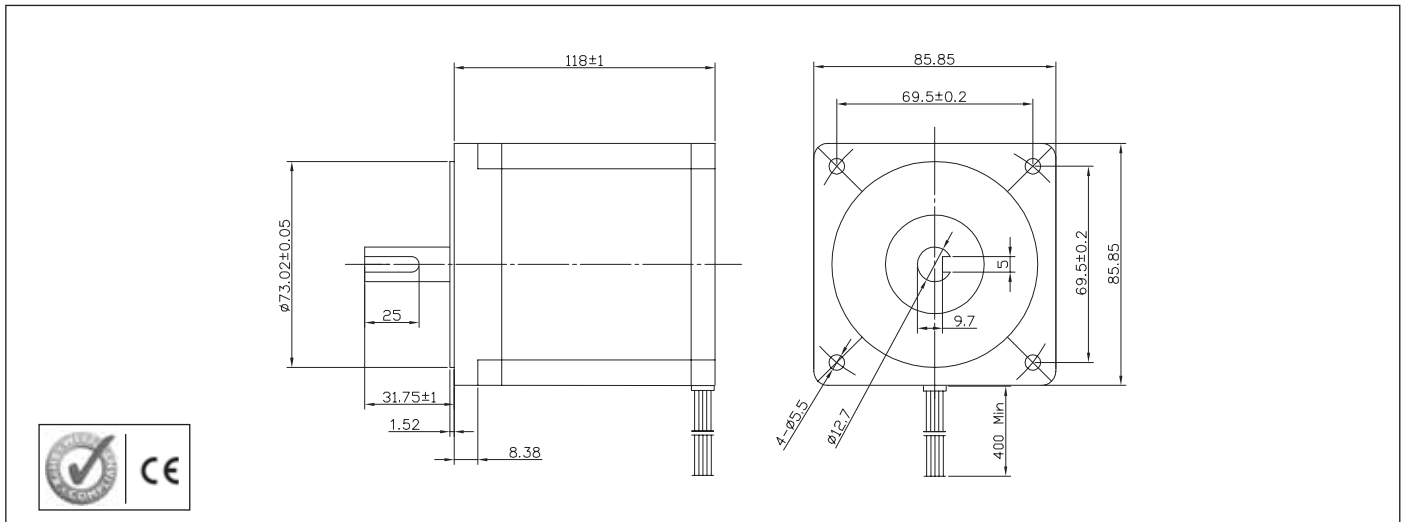


86SH118 High Torque Hybrid

Stepper Motor



Characteristics

STEP ANGLE
1,8°

STEP ANGLE ACCURACY
± 5%

INSULATION CLASS
B

AMBIENT TEMPERATURE
-20°C +50°C

TEMP. RISE
80°C MAX (RATED CURRENT, 2 PHASE ON)

INSULATION RESISTANCE
100 M OHM MIN. 500 VDC

DIELECTRIC STRENGTH
820 VAC FOR ONE MINUTE

SHAFT RADIAL PLAY
0,02 MAX (450 G LOAD)

SHAFT AXIAL PLAY
0,08 MAX. (450 G LOAD)

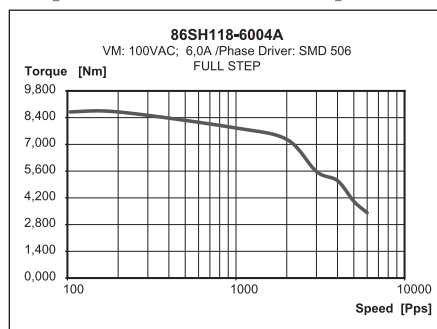
MAX RADIAL FORCE
220 N (20 MM FROM FRONT FLANGE)

MAX AXIAL FORCE
60 N

Specification

Model		86SH118-6004A				
1	RATED VOLTAGE	V	2,7	-	-	-
2	CURRENT/PHASE	A	6	-	-	-
3	RESISTANCE/PHASE	Ω	0,45	-	-	-
4	INDUCTANCE/PHASE	MH	5,1	-	-	-
5	HOLDING TORQUE	NM	8,7	-	-	-
6	ROTOR INERTIA	G-CM²	2700	-	-	-
7	WEIGHT	KG	3,8	-	-	-
8	NUMBER OF LEADS	N°	4	-	-	-

Speed vs. Torque Characteristics



Connection

LEAD N°	COLOR	GAUGE	FUNCTION
1	RED	UL1430 AWG20	PHASE A
2	WHITE	UL1430 AWG20	PHASE A-
3	YELLOW	UL1430 AWG20	PHASE B
4	GREEN	UL1430 AWG20	PHASE B-