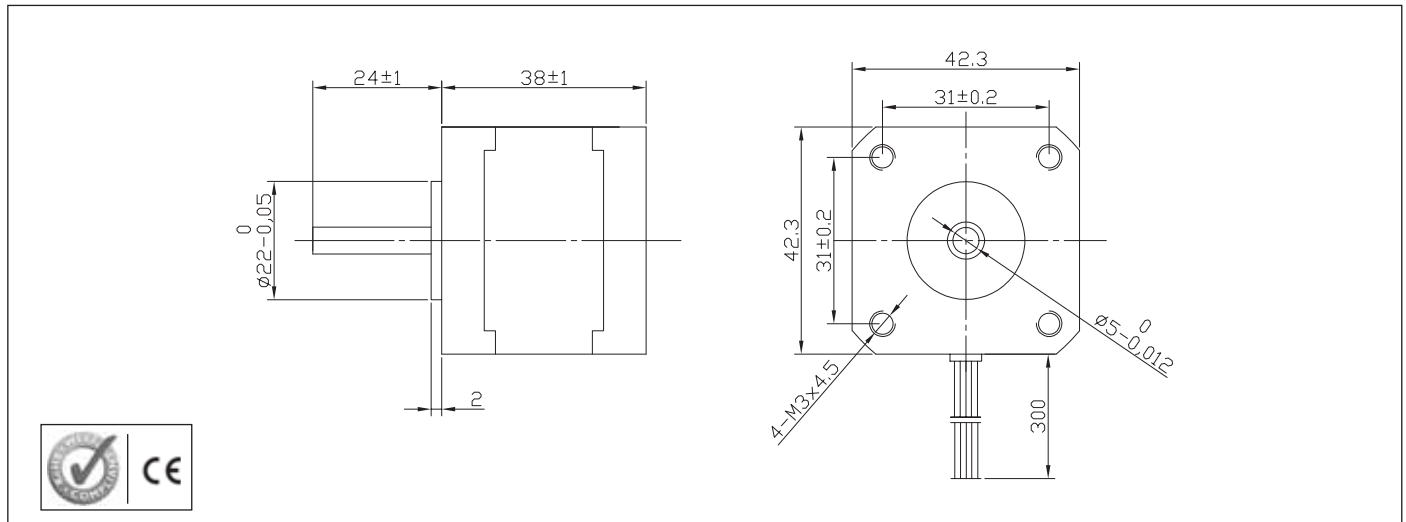


42SH38-M High Torque Hybrid Stepper Motor



Characteristics

STEP ANGLE
1,8°

STEP ANGLE ACCURACY
± 5%

INSULATION CLASS
B

AMBIENT TEMPERATURE
-20°C +50°C

TEMP. RISE
80°C MAX (RATED CURRENT, 2 PHASE ON)

INSULATION RESISTANCE
100 M OHM MIN. 500 VDC

DIELECTRIC STRENGTH
500 VAC FOR ONE MINUTE

SHAFT RADIAL PLAY
0,02 MAX (450 G LOAD)

SHAFT AXIAL PLAY
0,08 MAX. (450 G LOAD)

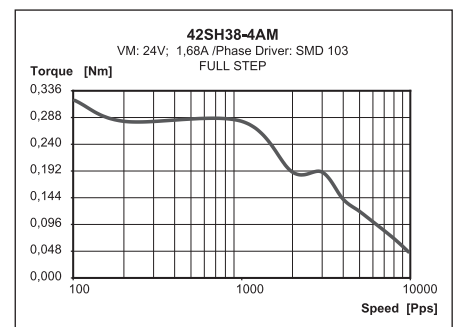
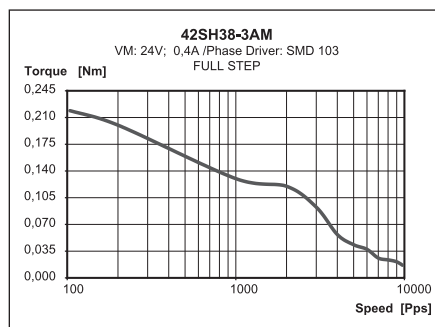
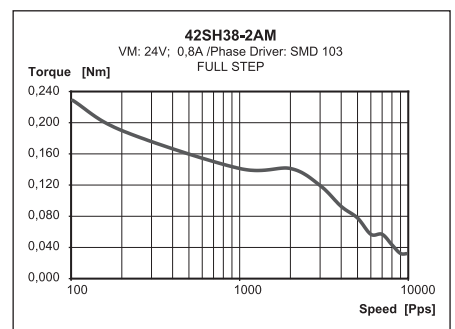
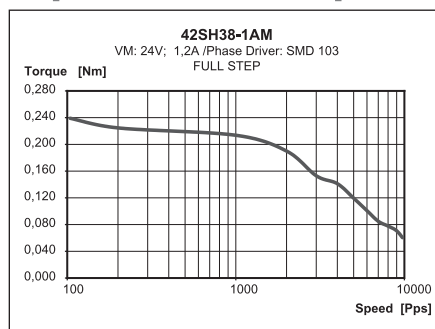
MAX RADIAL FORCE
28 N (20 MM FROM FRONT FLANGE)

MAX AXIAL FORCE
10 N

Specification

Model		42SH38-1A	42SH38-2A	42SH38-3A	42SH38-4A
1	RATED VOLTAGE V	4	6	12	2,8
2	CURRENT/PHASE A	1,2	0,8	0,4	1,68
3	RESISTANCE/PHASE Ω	3,3	7,5	30	1,65
4	INDUCTANCE/PHASE mH	3,4	6,7	30	3,2
5	HOLDING TORQUE Nm	0,259	0,259	0,259	0,36
6	ROTOR INERTIA g-cm ²	54	54	54	54
7	WEIGHT Kg	0,28	0,28	0,28	0,28
8	NUMBER OF LEADS N°	6	6	6	4

Speed vs. Torque Characteristics



Connection

LEAD N°	COLOR	GAUGE	FUNCTION
1	BLACK	UL1430 AWG26	PHASE A
2	GREEN	UL1430 AWG26	PHASE A-
3	RED	UL1430 AWG26	PHASE B
4	BLUE	UL1430 AWG26	PHASE B-
UNIPOLAR MOTOR			
5	YELLOW	UL1430 AWG26	COM PHASE A
6	WHITE	UL1430 AWG26	COM PHASE B