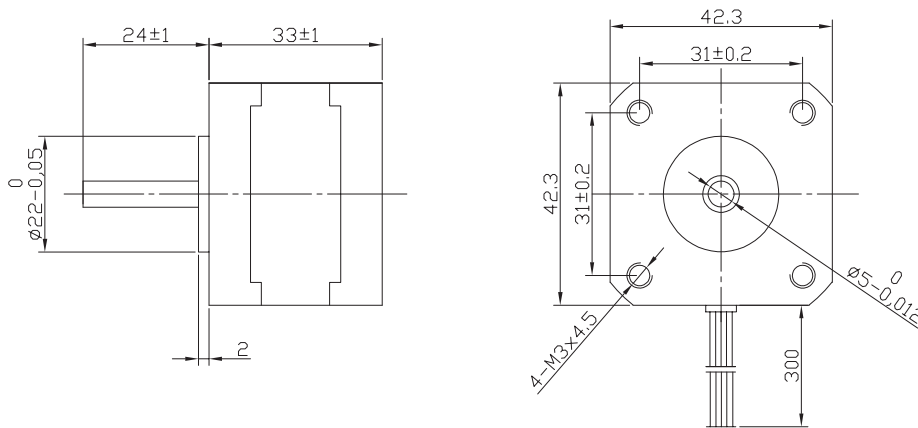


Stepper Motor 42SH33 High Torque Hybrid



Characteristics

STEP ANGLE
1,8°

STEP ANGLE ACCURACY
± 5%

INSULATION CLASS
B

AMBIENT TEMPERATURE
-20°C +50°C

TEMP. RISE
80°C MAX (RATED CURRENT, 2 PHASE ON)

INSULATION RESISTANCE
100 M OHM MIN. 500 VDC

DIELECTRIC STRENGTH
500 VAC FOR ONE MINUTE

SHAFT RADIAL PLAY
0,02 MAX (450 G LOAD)

SHAFT AXIAL PLAY
0,08 MAX. (450 G LOAD)

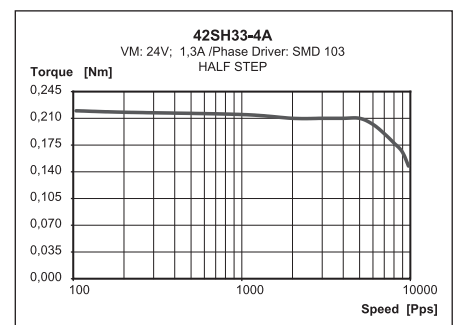
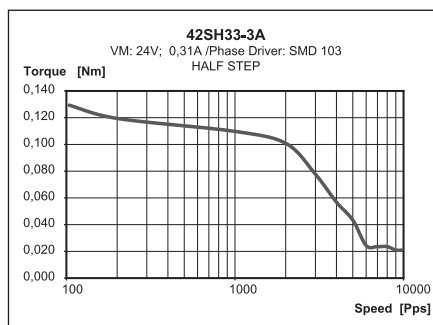
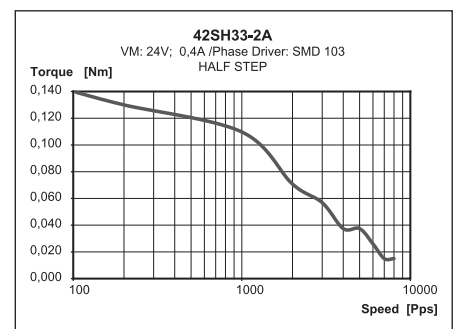
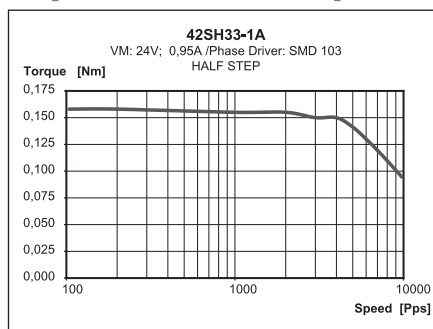
MAX RADIAL FORCE
28 N (20 MM FROM FRONT FLANGE)

MAX AXIAL FORCE
10 N

Specification

Model		42SH33-1A	42SH33-2A	42SH33-3A	42SH33-4A
1 RATED VOLTAGE	V	4	9,6	12	2,8
2 CURRENT/PHASE	A	0,95	0,4	0,31	1,33
3 RESISTANCE/PHASE	Ω	4,2	24	38,5	2,1
4 INDUCTANCE/PHASE	MH	2,5	15	21	2,5
5 HOLDING TORQUE	NM	0,158	0,158	0,158	0,22
6 ROTOR INERTIA	G-CM ²	35	35	35	35
7 WEIGHT	Kg	0,22	0,22	0,22	0,22
8 NUMBER OF LEADS	N°	6	6	6	4

Speed vs. Torque Characteristics



Connection

LEAD N°	COLOR	GAUGE	FUNCTION
1	BLACK	UL1430 AWG26	PHASE A
2	GREEN	UL1430 AWG26	PHASE A-
3	RED	UL1430 AWG26	PHASE B
4	BLUE	UL1430 AWG26	PHASE B-
UNIPOLAR MOTOR			
5	YELLOW	UL1430 AWG26	COM PHASE A
6	WHITE	UL1430 AWG26	COM PHASE B