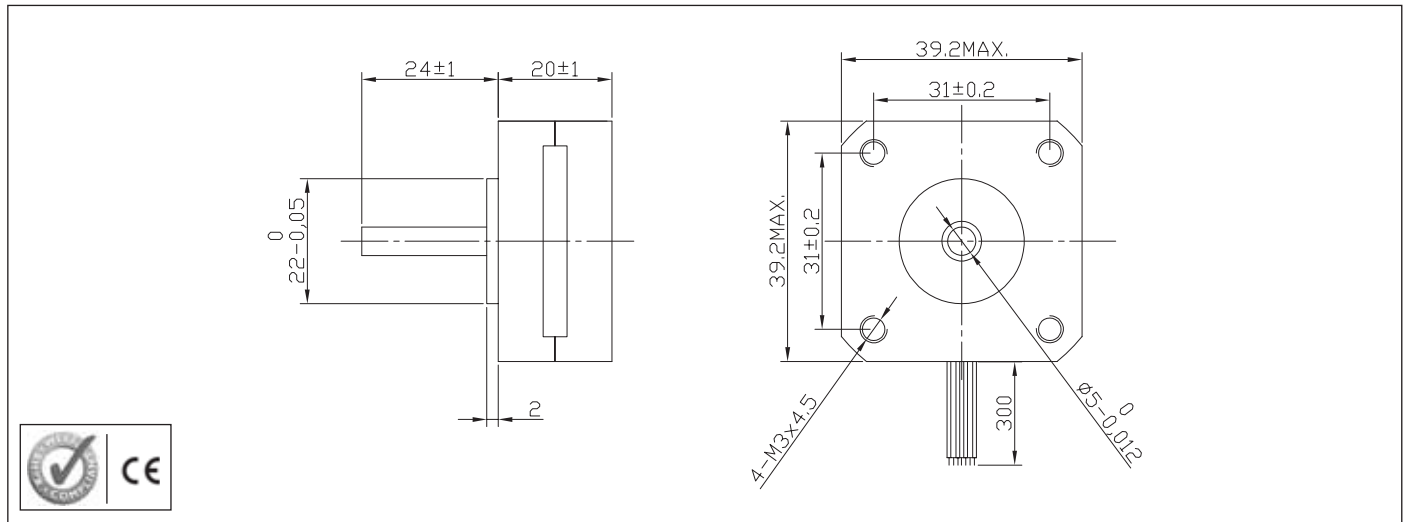


39SH20 High Torque Hybrid Stepper Motor



Characteristics

STEP ANGLE
1,8°

STEP ANGLE ACCURACY
± 5%

INSULATION CLASS
B

AMBIENT TEMPERATURE
-20°C +50°C

TEMP. RISE
80°C MAX (RATED CURRENT, 2 PHASE ON)

INSULATION RESISTANCE
100 M OHM MIN. 500 VDC

DIELECTRIC STRENGTH
500 VAC FOR ONE MINUTE

SHAFT RADIAL PLAY
0,02 MAX (450 G LOAD)

SHAFT AXIAL PLAY
0,08 MAX. (450 G LOAD)

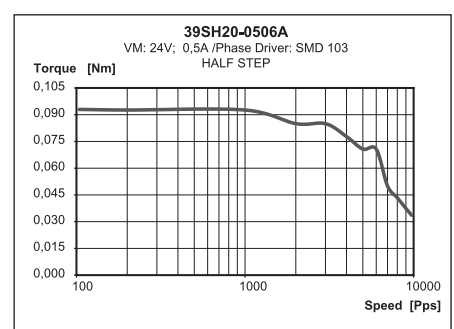
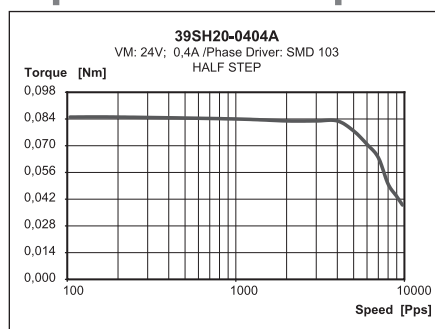
MAX RADIAL FORCE
28 N (20 MM FROM FRONT FLANGE)

MAX AXIAL FORCE
10 N

Specification

Model	39SH20-0404A	39SH20-0506A
1 RATED VOLTAGE V	2,64	6,5
2 CURRENT/PHASE A	0,4	0,5
3 RESISTANCE/PHASE Ω	6,6	13
4 INDUCTANCE/PHASE MH	7,5	7,5
5 HOLDING TORQUE NM	0,065	0,08
6 ROTOR INERTIA G-CM ²	11	11
7 WEIGHT KG	0,12	0,12
8 NUMBER OF LEADS N°	4	6

Speed vs. Torque Characteristics



Connection

LEAD N°	COLOR	GAUGE	FUNCTION
1	BLACK	UL1430 AWG26	PHASE A
2	GREEN	UL1430 AWG26	PHASE A-
3	RED	UL1430 AWG26	PHASE B
4	BLUE	UL1430 AWG26	PHASE B-
UNIPOLAR MOTOR			
5	YELLOW	UL1430 AWG26	COM PHASE A
6	WHITE	UL1430 AWG26	COM PHASE B