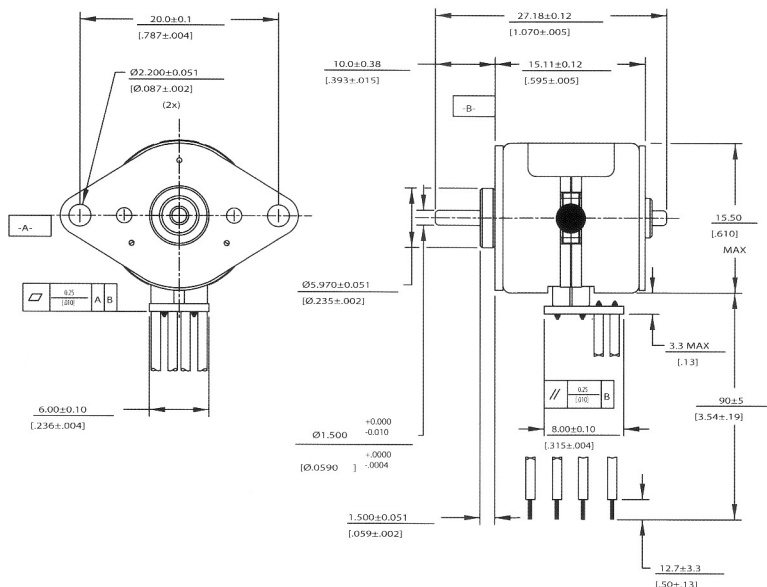


15M020D



15M020D-N

Technical Specifications

Part Number		15M020D1B-N
Rated voltage	(vdc)	5
Resistance per phase ± 10%	(ohms)	40
Inductance per phase, Typ	(mH)	14
Rated current per phase *	(amps)	0.125
Holding torque, min *	(oz-in / mNm)	0.55 / 3.87
Step angle, ± 1.5° *	(degrees)	18
Steps per revolution *		20
Detent torque, max	(oz-in / mNm)	0.23 / 1.62
Thermal resistance	(°C / watt)	N.A.
Rotor moment of inertia	(oz-in-s ² / g-cm ²)	6.29 x 10E-4 / 0.115
Ambient temperature range		
Operating	(°C)	-20 ~ +70
Storage	(°C)	-40 ~ +85
Bearing type		Sintered bronze sleeve
Insulation resistance at 500vdc	(MΩ)	100
Dielectric withstanding voltage	(vac)	450 for 2 seconds
Weight	(lb / g)	0.03125 / 14
Shaft load ratings, max at 600 rpm		
Radial	(lbs / kg)	0.055 / 0.025
Axial	(lbs / kg)	0.055 / 0.025
Leadwires		28 AWG, UL 1429
Temperature class, max	(°C)	B(130°C)
RoHS		Compliant

All motor data values at 25°C unless otherwise specified

* Energise at rated current, 2 phase on