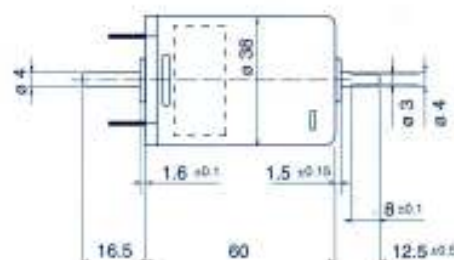


3-38/14 + GP32



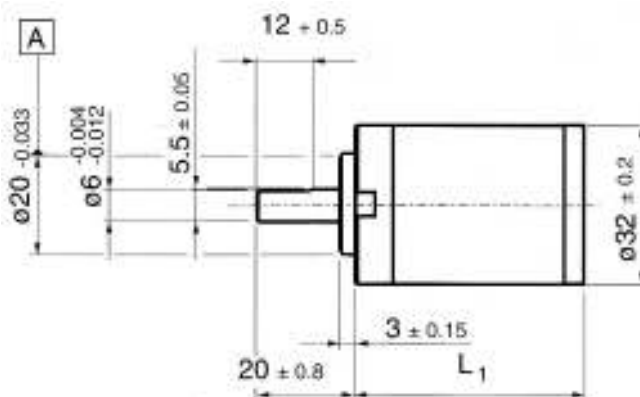
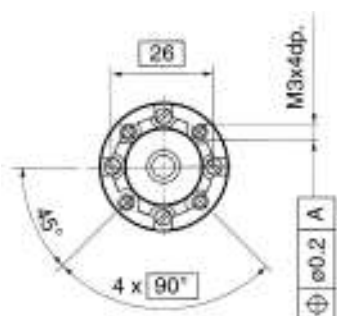
		24
Voltage	V	14
Power Output	W	13.2
Rated Torque	mNm	24.5
Rated Speed	r/min	5,150
Rated Current	mA	850
No load Speed	r/min	6,300
No load Current	mA	110
Starting Torque	mNm	134
Torque Constant	mNm/A	33.1

Front Mounting Face



GP32.****

	Ratio	Effic %	Max Torque Cont. (Nm)	Max Torque Inter. (Nm)	L1 (mm)
GP32.0005	5:1	80	0.75	1.12	26.60
GP32.0014	14:1	75	2.25	3.37	36.10
GP32.0019	19:1	75	2.25	3.37	36.10
GP32.0035	35:1	75	2.25	3.37	36.10
GP32.0071	71:1	70	4.50	6.75	45.60
GP32.0100	100:1	70	4.50	6.75	45.60
GP32.0236	236:1	70	4.50	6.75	45.60



3-38/1424 + GP32.****

	Rated Torque	Ratio	Efficiency	Approx Torque Nm	24v RPM
3-38/14** + GP32.0005	24.5	5	0.80	0.10	1030.00
3-38/14** + GP32.0014	24.5	14	0.75	0.26	367.86
3-38/14** + GP32.0019	24.5	19	0.75	0.35	271.05
3-38/14** + GP32.0035	24.5	35	0.75	0.64	147.14
3-38/14** + GP32.0071	24.5	71	0.70	1.22	72.54
3-38/14** + GP32.0100	24.5	100	0.70	1.72	51.50
3-38/14** + GP32.0236	24.5	236	0.70	4.05	21.82